



# PERGOLA

TECHNICAL CATALOGUE

[www.artent.com.tr](http://www.artent.com.tr)

 **Artent**  
PERGOLA & OUTDOOR DESIGN

## Protection



**WIND RESISTANCE:** Our retractable pergola models are strong enough till 10th degree of wind (105 km/h) according to the beaufort indications.

**WATER DISPOSAL:** The gutters capacity is 1.45L/h and it provides 0.030L/h water disposal under the conditions of heavy rainfall by TS EN 12056-3 standarts.

## Standard Features



SOMFY MOTOR



REMOTE CONTROL



LED LIGHTS



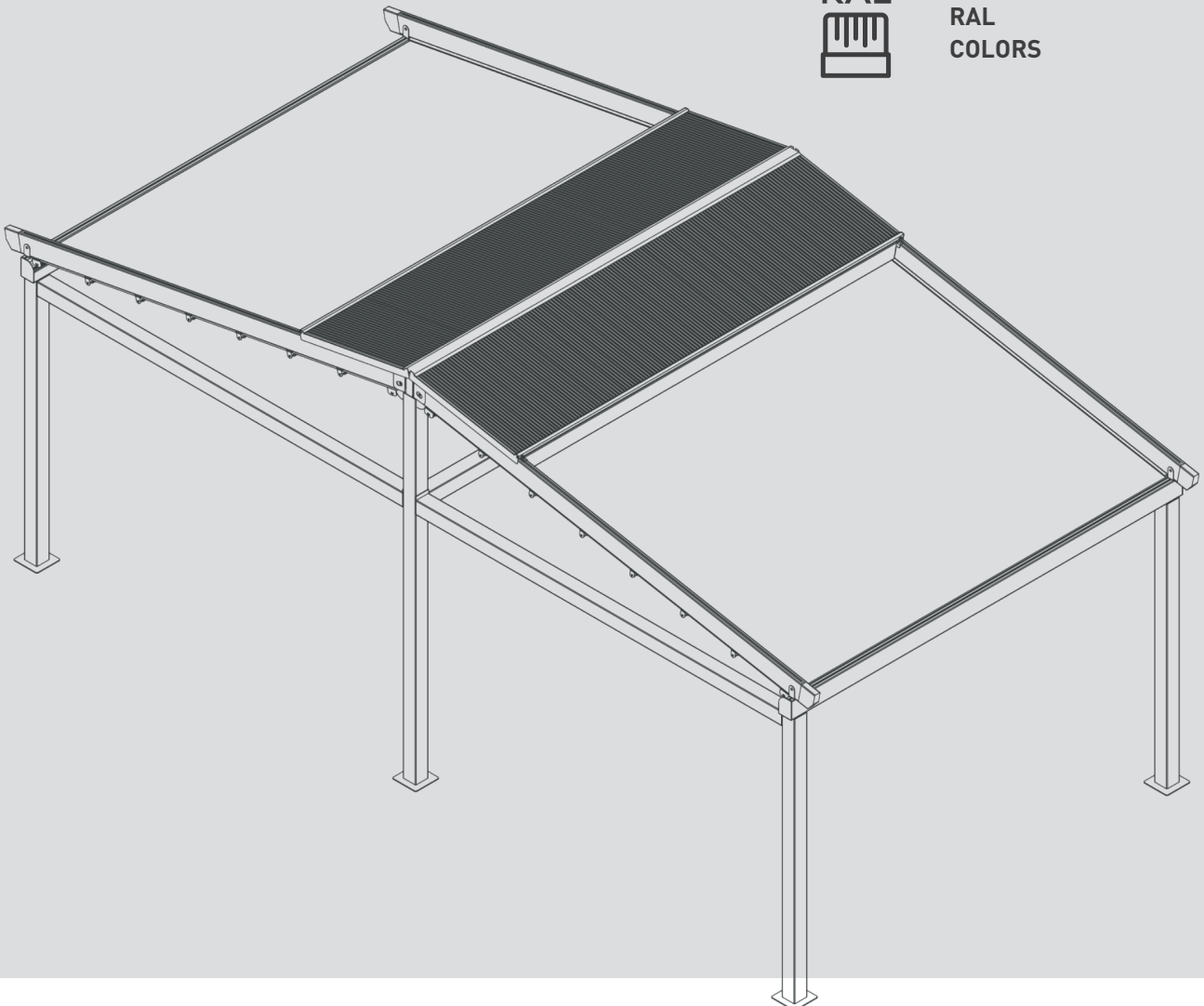
PVC FABRIC



WATER  
DISPOSAL  
SYSTEM



RAL  
COLORS



## Extra Features



WOODEN-LIKE  
COATING



DIMMABLE  
LIGHTS



SUNLIGHT  
SENSOR



GLASS  
SYSTEMS



RAIN SENSOR



VERTICAL ZIP  
SYSTEMS



WIND SENSOR



WPC DECK  
FLOORS



SMARTPHONE  
REMOTE  
CONTROL



IRON-STEEL  
STRUCTURES

## Protection



INOX



FLAME-PROOF



ALUMINUM



5 YEAR  
WARRANTY



MADE IN  
TURKEY

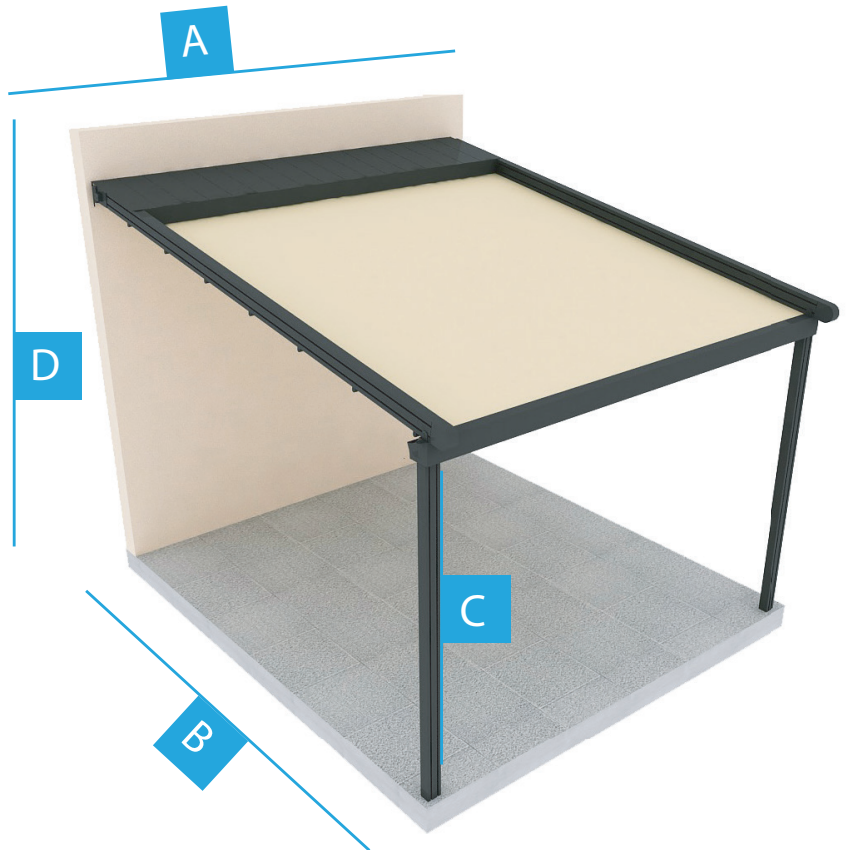


TSE APPROVED



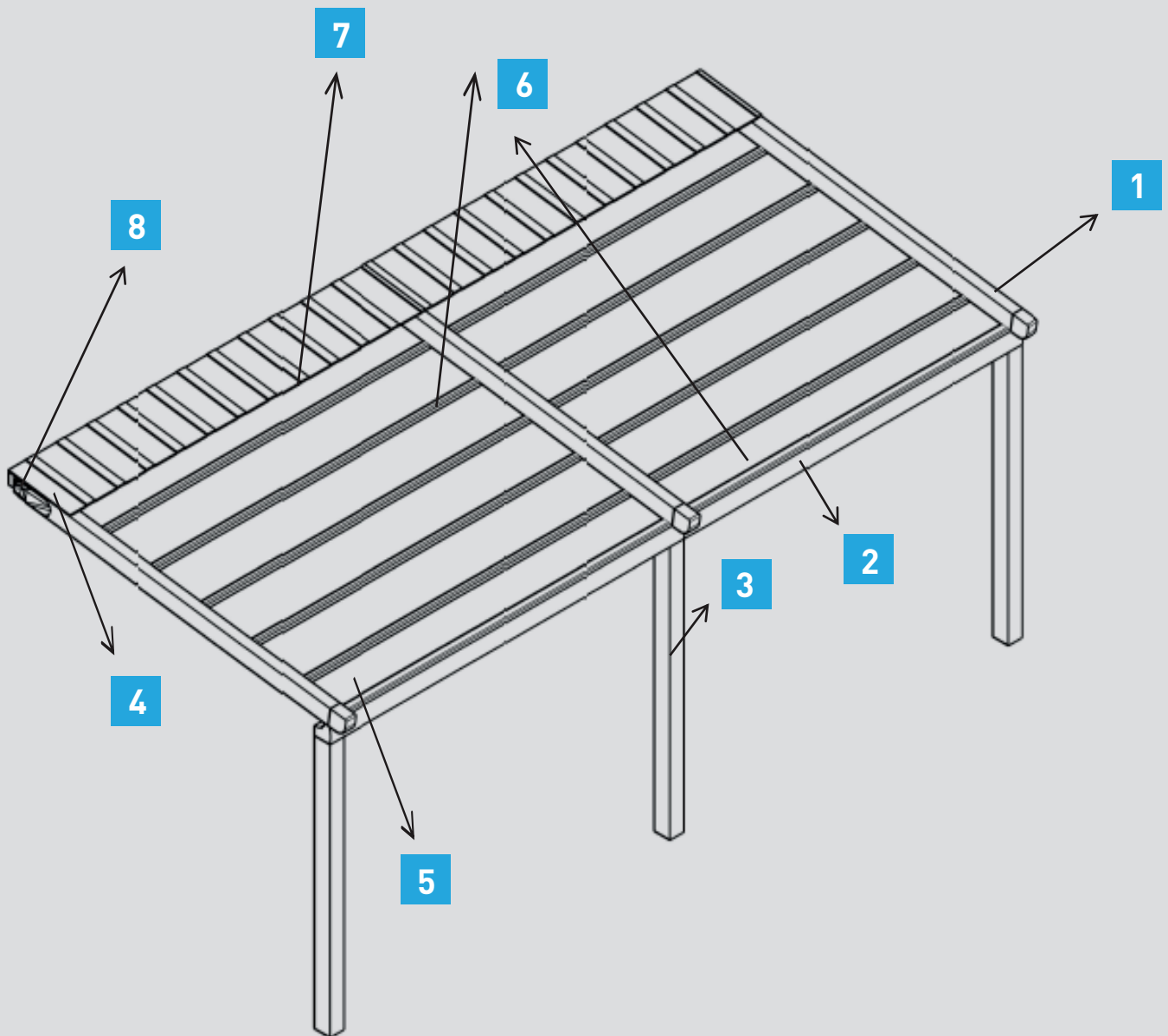
CE CERTIFIED

## DIMENSIONING



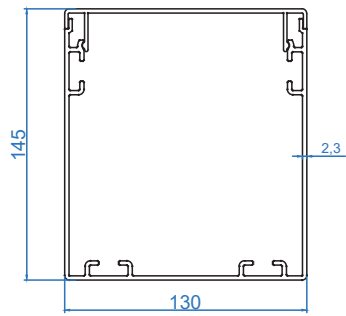
- A. TOTAL WIDTH
- B. TOTAL PROJECTION
- C. FRONTAL SUPPORT HEIGHT
- D. BACK HEIGHT OF THE SYSTEM

## PROFILE GROUP

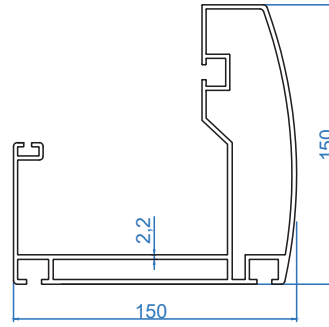


- 1- RAILS (STANDARD & BIGGER)
- 2- GUTTER
- 3- BEAM
- 4- REAR FABRIC PROFILE
- 5- FRONTAL FABRIC PROFILE
- 6- FABRIC PROFILES
- 7- MOTOR TUBE
- 8- BOX PROFILE

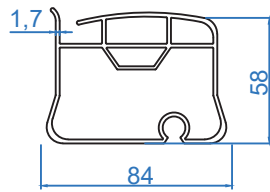
BEAM



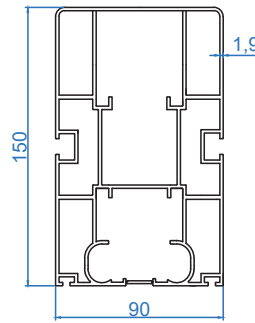
GUTTER



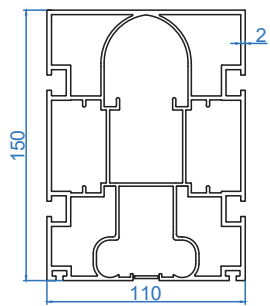
FRONTAL FABRIC PROFILE



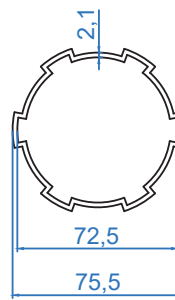
STANDARD RAIL



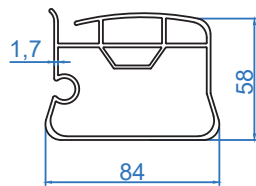
BIGGER RAIL



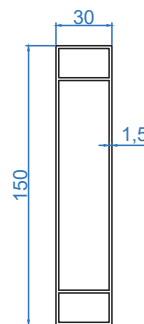
MOTOR PROFILE



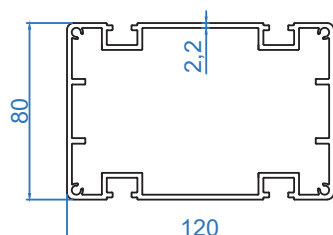
REAR FABRIC PROFILE



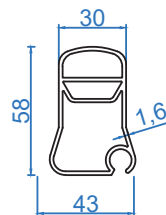
BOX PROFILE



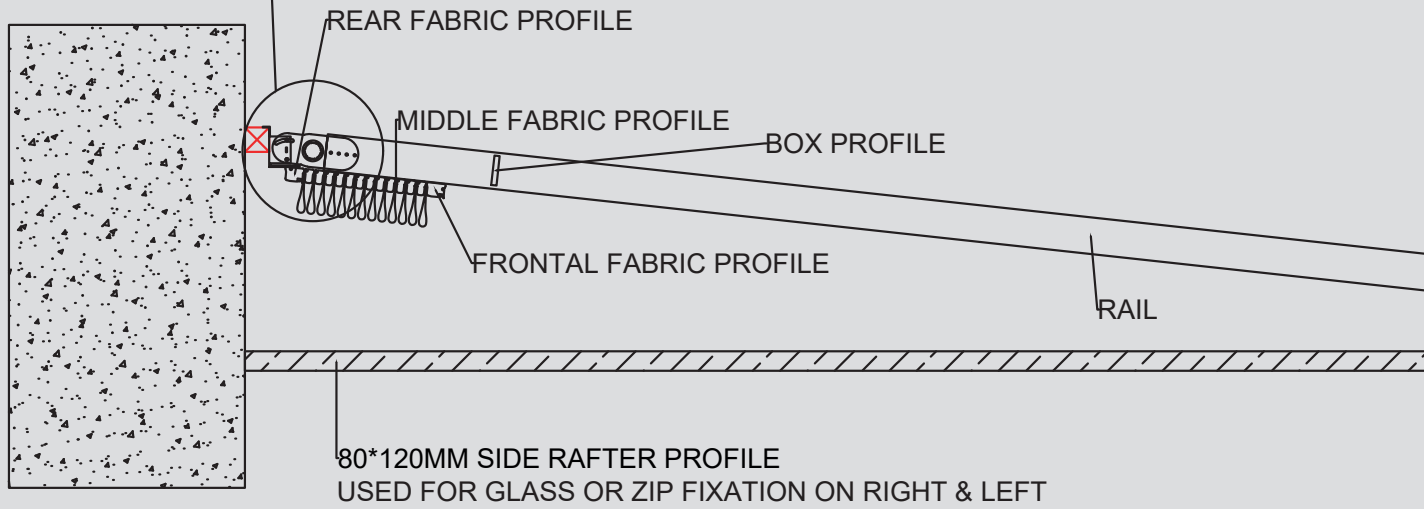
SIDE RAFTER PROFILE



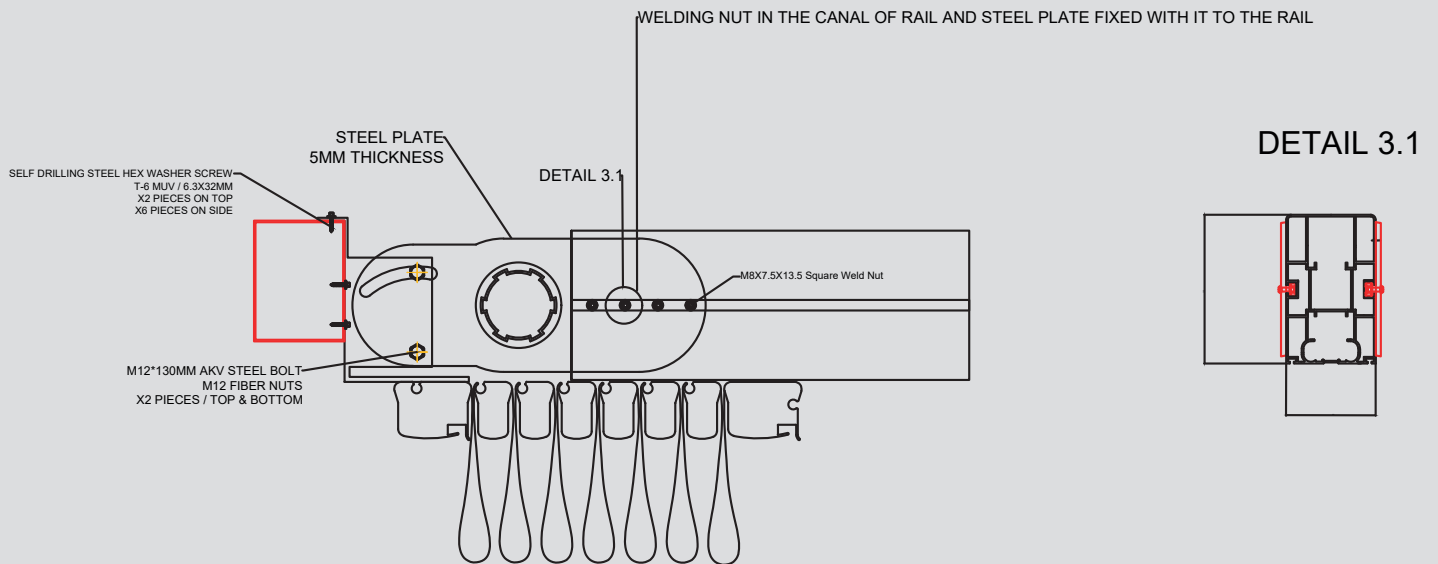
FABRIC PROFILE

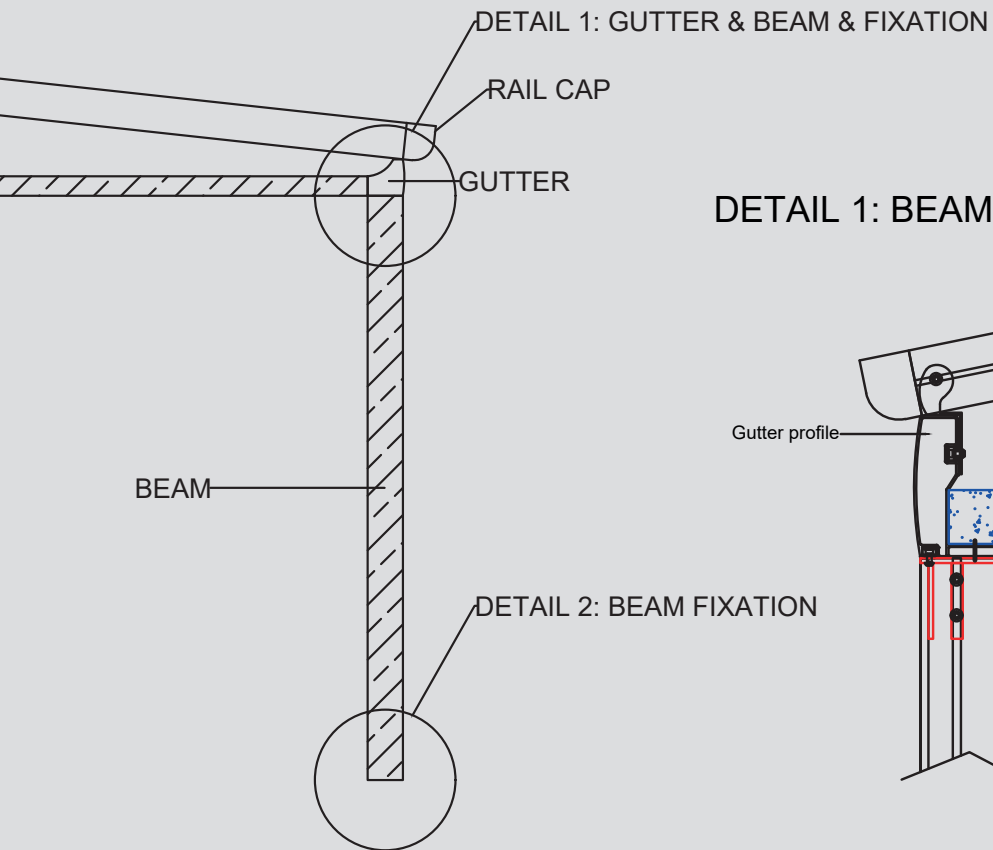


### DETAIL 1: GUTTER & BEAM FIXATION

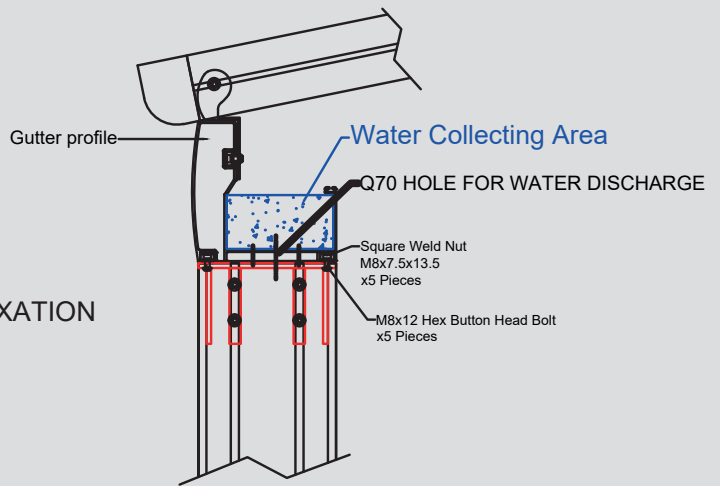


### DETAIL 3: RAIL FIXATION

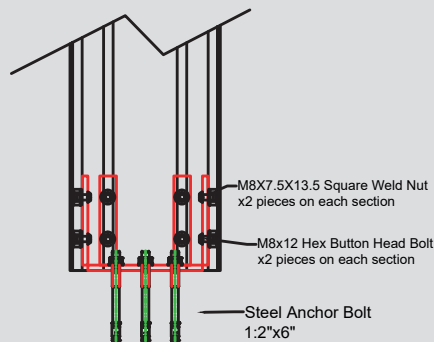
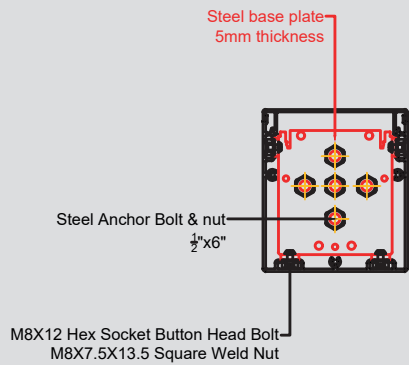




### DETAIL 1: BEAM-GUTTER-RAIL FIXATION



### DETAIL 2: BEAM FIXATION



## ALUMINIUM

### Aluminum color options

The system is painted with electrostatic powder painting method.

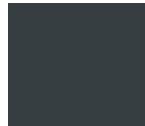
### Standart Colors



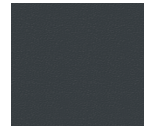
RAL 1013



RAL 3004



RAL 7016



RAL 7016 MAT  
TEXTURE



RAL 7022



RAL 7043



RAL 7047



RAL 8003



RAL 8007



RAL 8011



RAL 8017



RAL 8019



RAL 9005 MAT



RAL 9005 MAT  
TEXTURE



RAL 9006



AL 9010



RAL 9011



RAL 9003

### Special Colors



RAL LIGHT WOOD



DARK WOOD



OTHER COLORS

### COLOR OPTIONS FOR ALUMINIUM

The system profiles are painted by electrostatic powder coating.



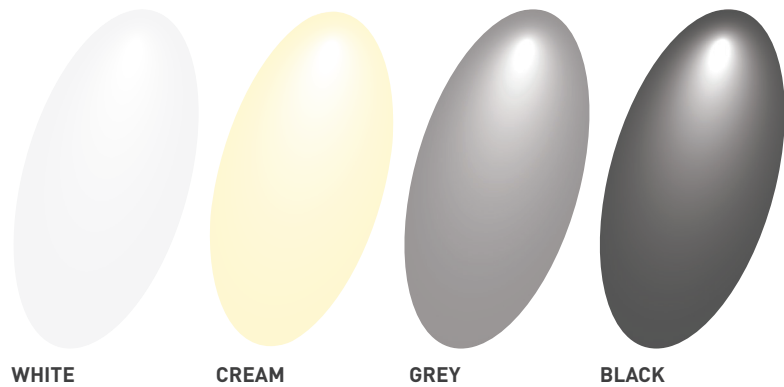
## LIGHTING

Depending on your taste, spot or stripe (horizontal) led options as well as **white, sunlight** according to the ambiance are available.

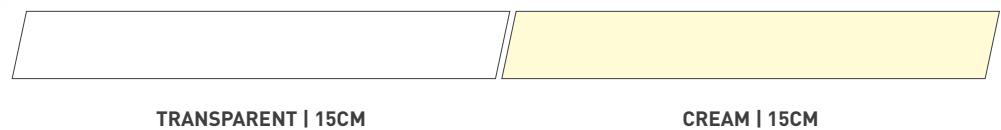
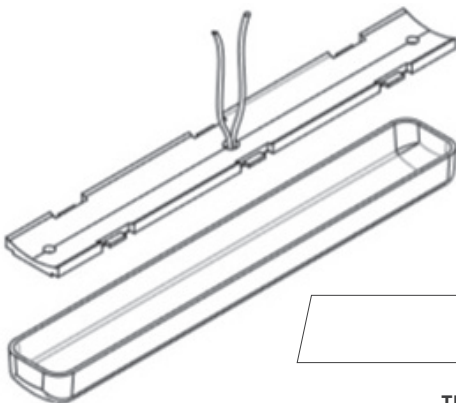
The advanced dimmer system allows adjusting the light density gradually in compliance with the ambiance.

Led technology offers an eco-friendly approach with energy saving and aims to fulfill the responsibilities for the environment.

### Spot Led Lighting



### Linear Led



| VOLT                     | WATT     | LUMEN   |
|--------------------------|----------|---------|
| 24V STRIPE LED   15 CM   | 3.3W     | 350     |
| 12V STRIPE LED   18,5 CM | 3.3W     | 180,250 |
| 12V SPOT LED             | 2.5W, 4W | 180     |
| 24V SPOT LED             | 2.5W, 4W | 270     |
| INTEGRATED LED   3-60 CM | 3.3W     | 2000/MT |

## FABRIC

In this pergola system, architectural blackout fabrics that produced by pvc material are used. Blockout fabric is a teype of membrane comprised of high-quality PVC blocks which is covered for 5 year guarantee and which has all international quality documents and certificates. It is manufactured at the integrated facility in compliance with European standards.



**3D CREAM**



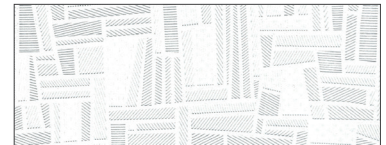
**5D CREAM**



**PLAIN WHITE**



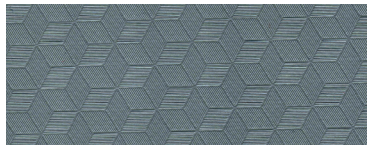
**3D WHITE**



**5D WHITE**



**BLACK**



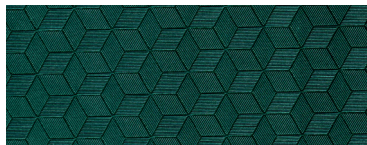
**3D GREY**



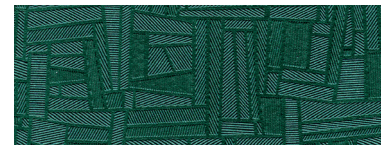
**PLAIN WHITE**



**5D MINK COLOR**



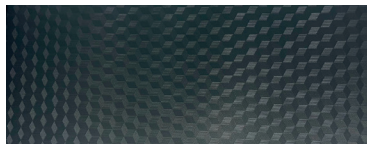
**3D GREEN**



**5D GREEN**



**3D RED**



**3D ANTHRACITE**



**3D BURGUNDY**

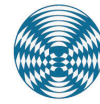
| <b>B8118 / 1622</b>        |                         |                        |
|----------------------------|-------------------------|------------------------|
| Fabric Structure           | %100 PES /1100 dtex     |                        |
| Weight                     | 850 g/m <sup>2</sup>    | DIN EN ISO 2286/2 1998 |
| Charactaristics            | ABUV / SOP              |                        |
| Lack   Surface:            | 1/1 Bright              |                        |
| <b>Tensile Strength</b>    |                         | <b>LUMEN</b>           |
| Warp   Wrap                | 2500 N/5CM   2300 N/5CM | EN ISO 1421/1 1998     |
| <b>Laceration Strength</b> |                         |                        |
| Warp   Wrap                | 250 N   200 N           | DIN 53363 2003         |
| Conglutination             | 1000 N / 5CM            | EN ISO 2411 2000       |
| Heat Resistance            | -30/+70oC               | DIN EN 1876/2 1998     |
| Light Sensitivity          | 7-8                     | ISO 105 B02 1988       |
| Fire Resistance            | M2                      | NF P 92 507 2004       |

The motors' durability is tested in the most challenging climatic conditions. Somfy motors are checked before leaving the factory and being sent to your home, and come with a long-term reliability guarantee. Like all Somfy equipment, the motors naturally meet safety standards. Somfy works together with various other manufacturers which add quality electrical functions to your awning and shades. This equipment presents you with productivity and reliability as a product of shared expert information and expertise. The "Powered by Somfy" sticker on your awning or shades is a guarantee that the product you have bought which is operated by a Somfy motor.

**Somfy motors are guaranteed for 5 years.**



## MOTOR



**BECKER**  
Birlikte daha kolay.

With their awning motors, sectional door motors, curtain motors, shutter motors and industrial door motors, Becker aims to add value to your home with fully automated smart comfort, high levels of safety and energy efficiency. The company develops its product portfolio with awning motor varieties including motors with electronic or mechanical limit switches and electronic limit switch motors with receivers, as well as easy-to-use sensor control units, sensor sets, sensor systems, wired controlled units, wireless control units and accessories.



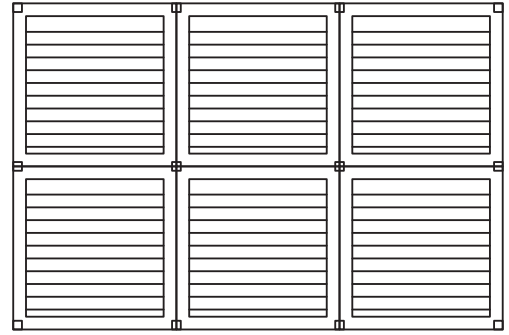
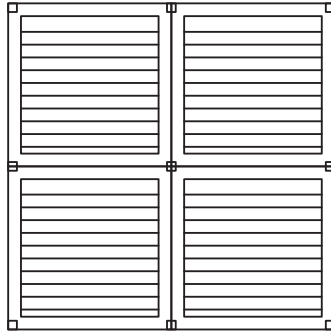
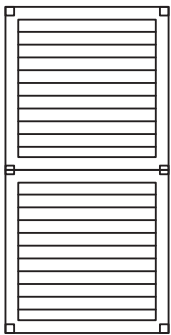
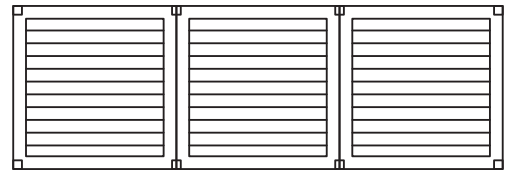
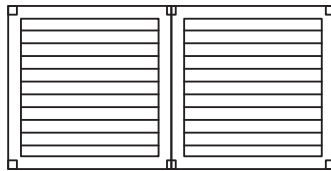
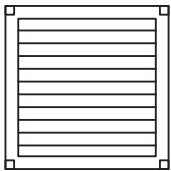
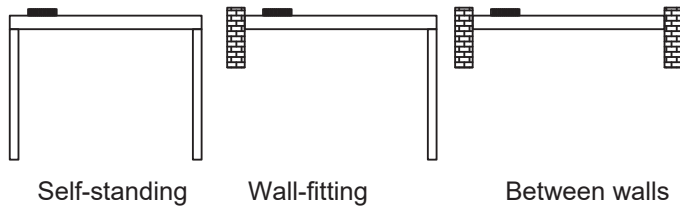
# BIOCLIMATIC

TECHNICAL CATALOGUE

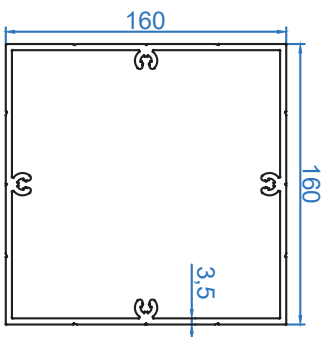
[www.artent.com.tr](http://www.artent.com.tr)

 **Artent**  
PERGOLA & OUTDOOR DESIGN

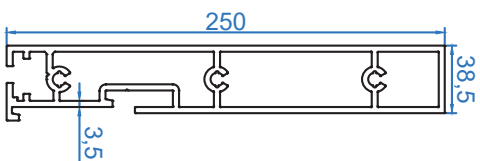
# Profile



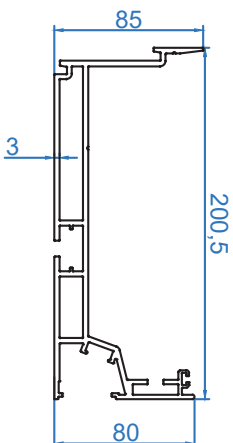
Beam



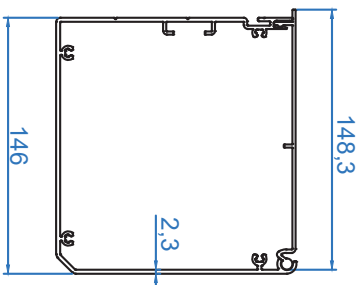
Side carrier



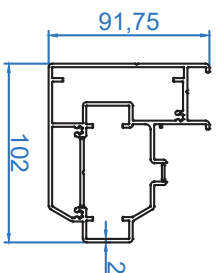
Gutter



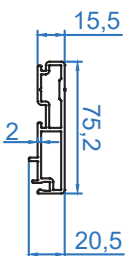
Motor box



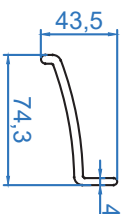
Rail



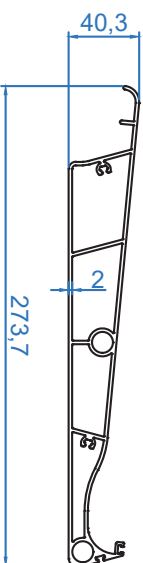
Rail cover

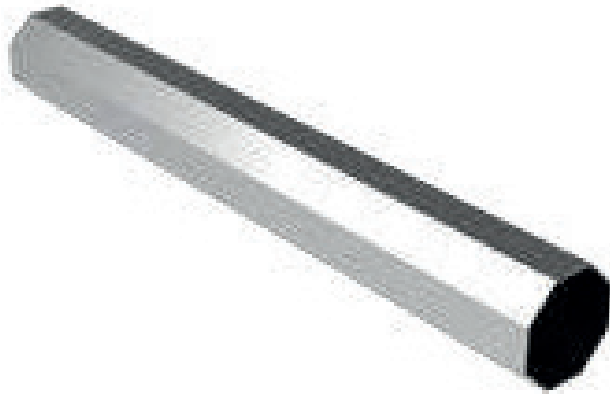


Motor box shed



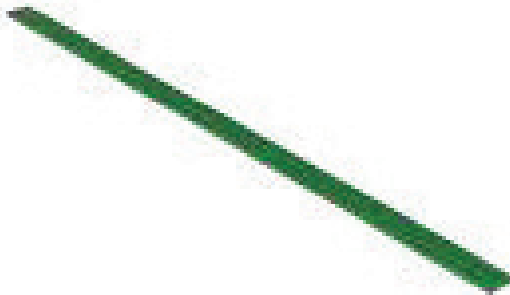
Lamels





**Motor Tube** Weight kg/m: 1,935 ( 58,55 x 83,90 x 1,7mm )

---



**Rail Upper Belt** Weight kg/m: 0,845

---



**Trigger Belt** Weight kg/m: 1,119

---





**Gear Accessory**

---



**Carrier Profile Joiner**

---



**Carrier Profile Cover**

---



Supporter Ground Fixing

---



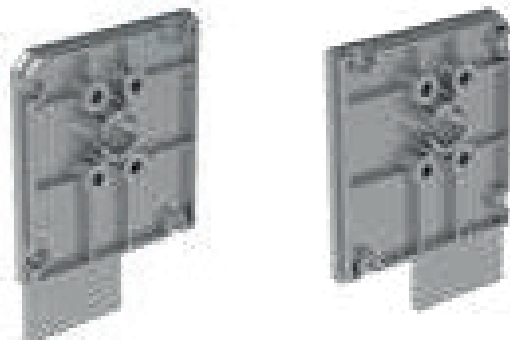
Supporter Gutter Fixing

---



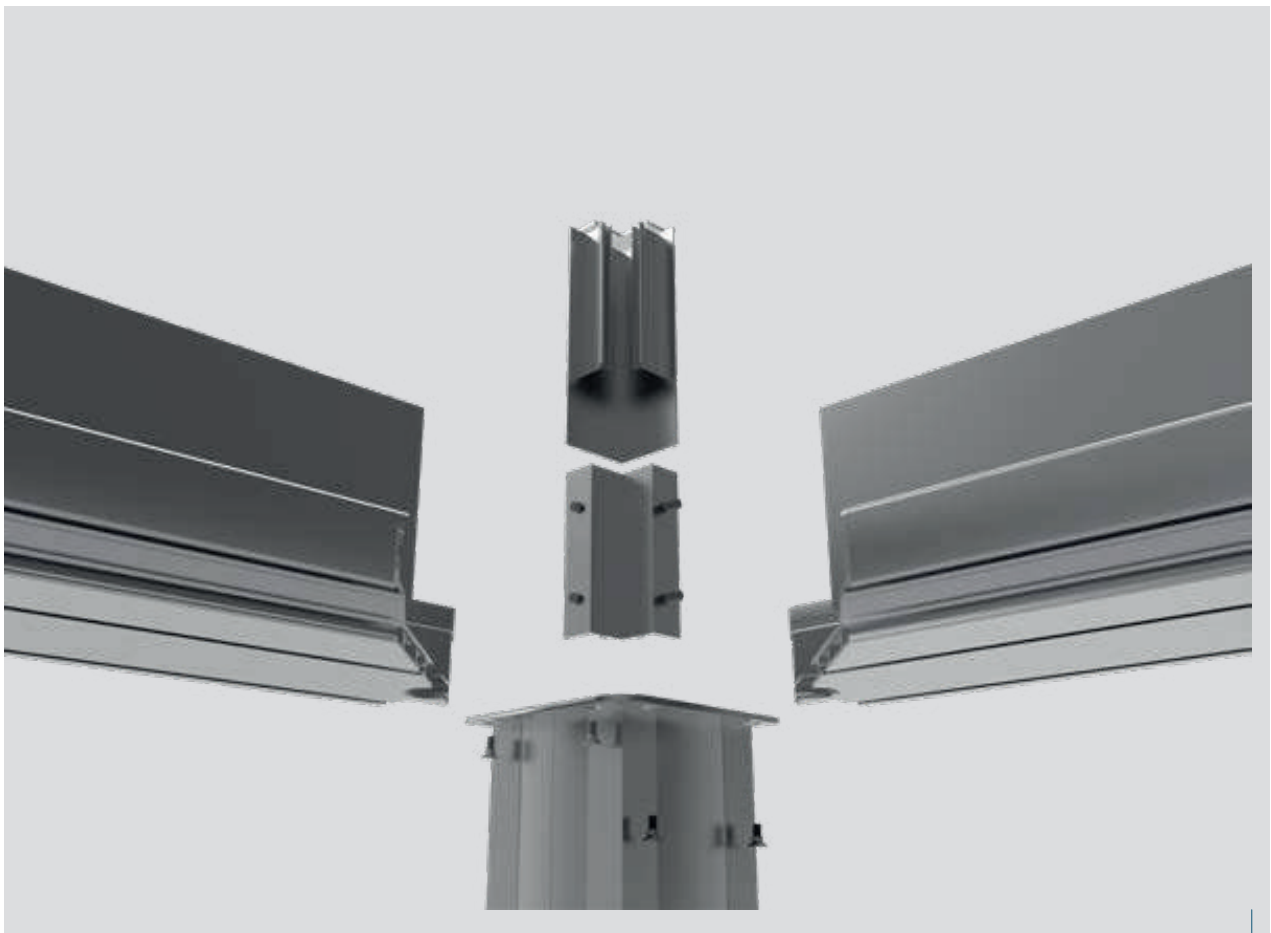
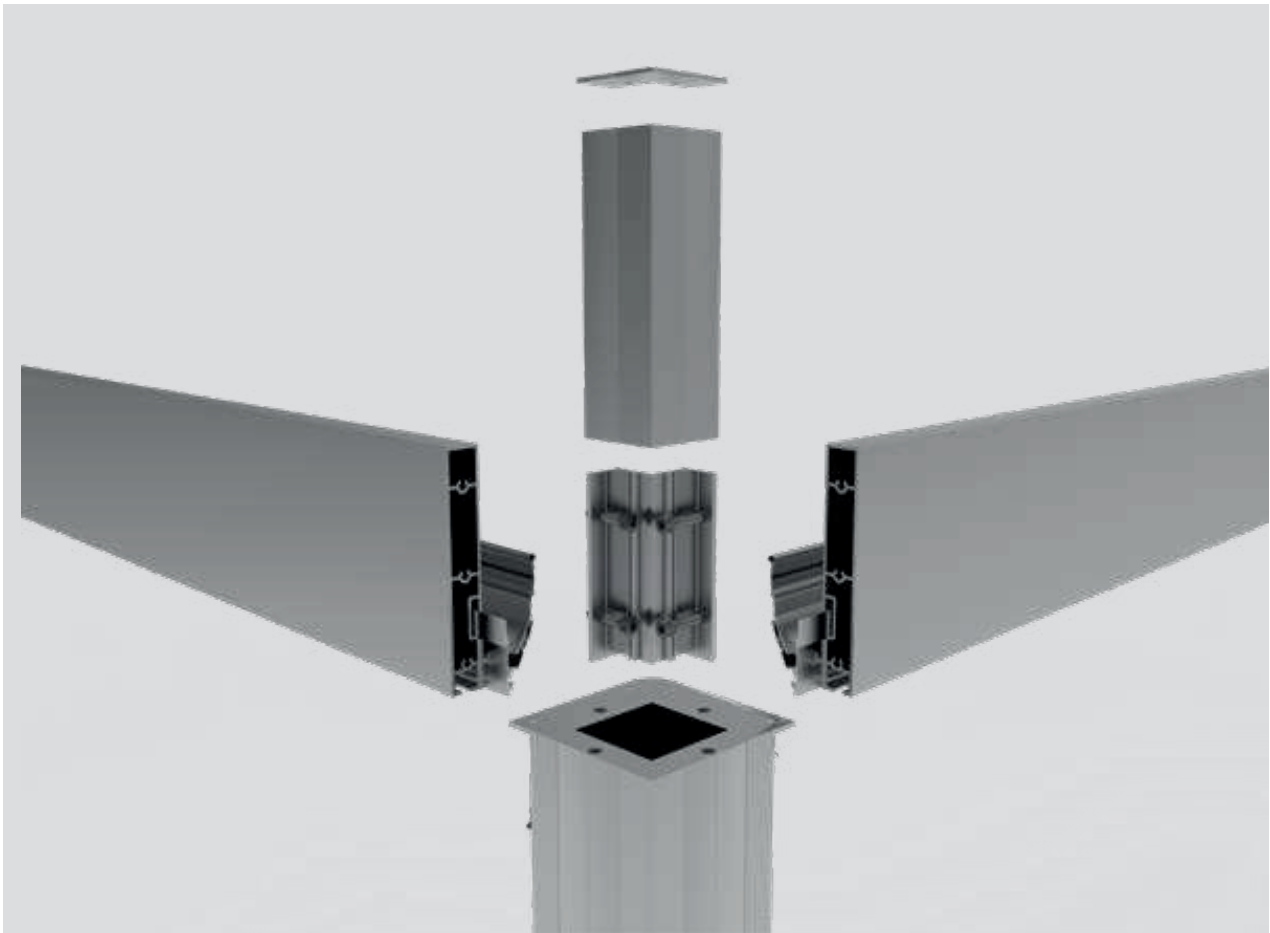
Rails and Cover

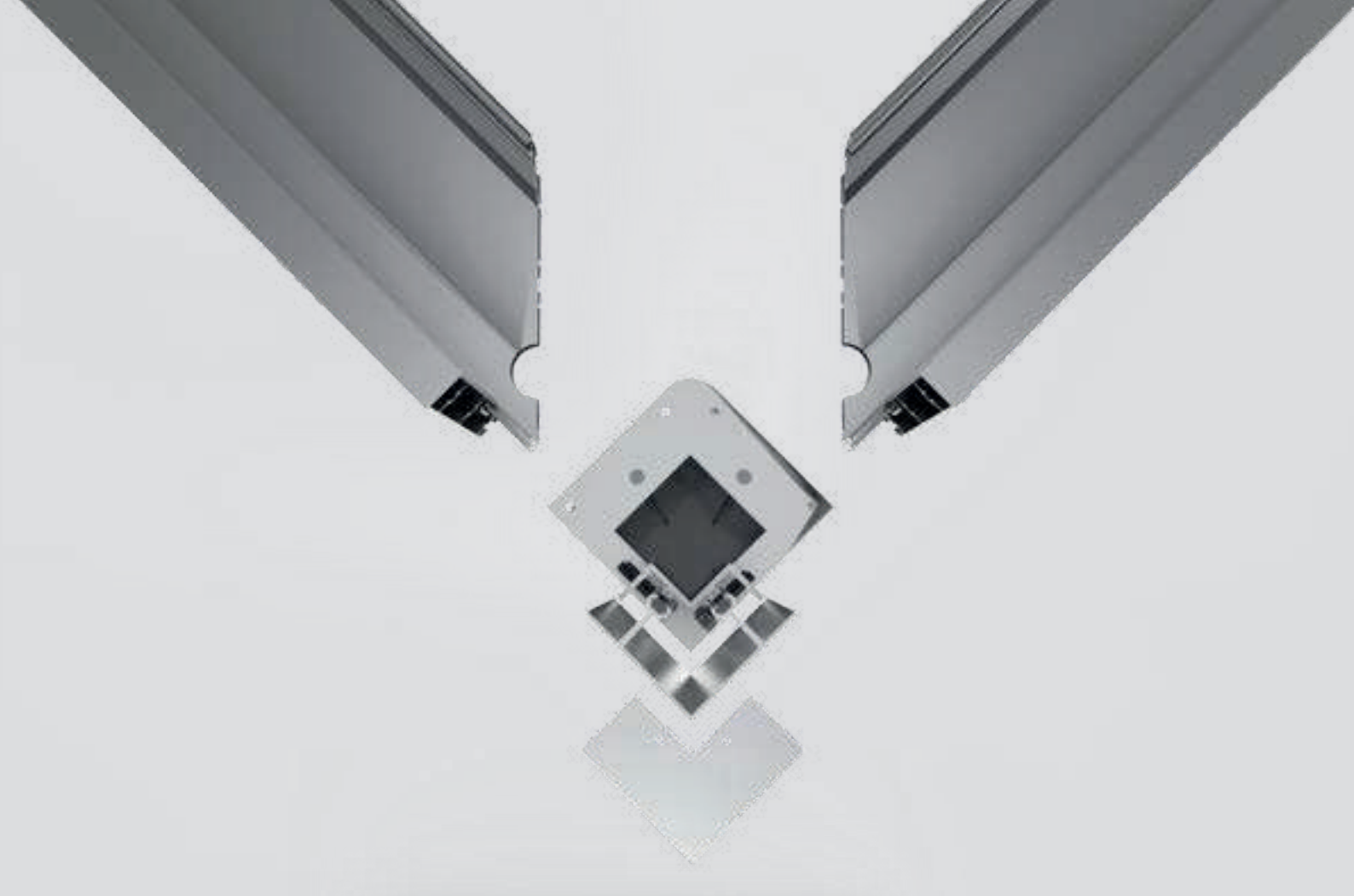
---



Motor Box and Covers

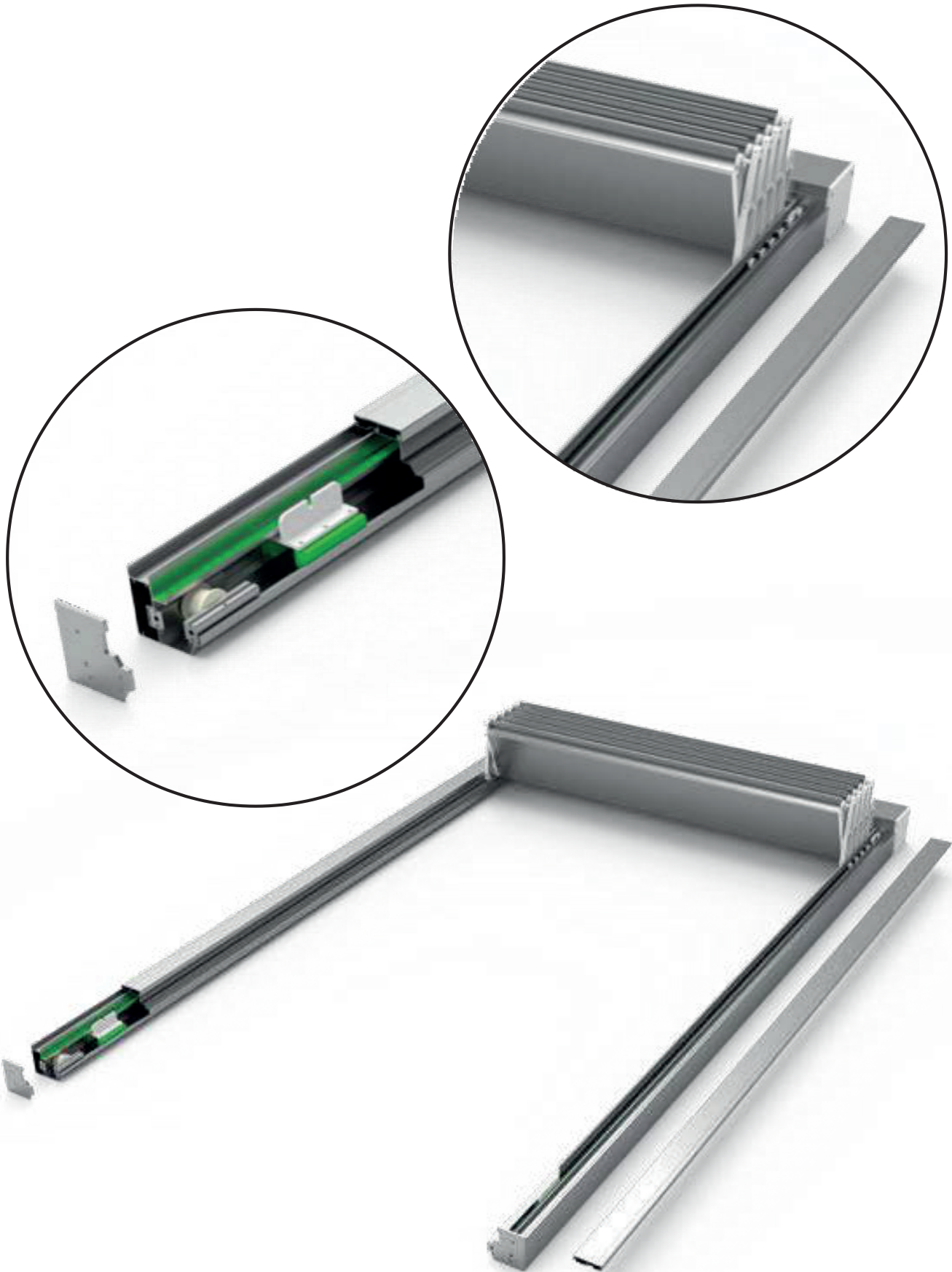
---















# PANORAMIC GLASS

TECHNICAL CATALOGUE

[www.artent.com.tr](http://www.artent.com.tr)

 **Artent**  
PERGOLA & OUTDOOR DESIGN

## Profile

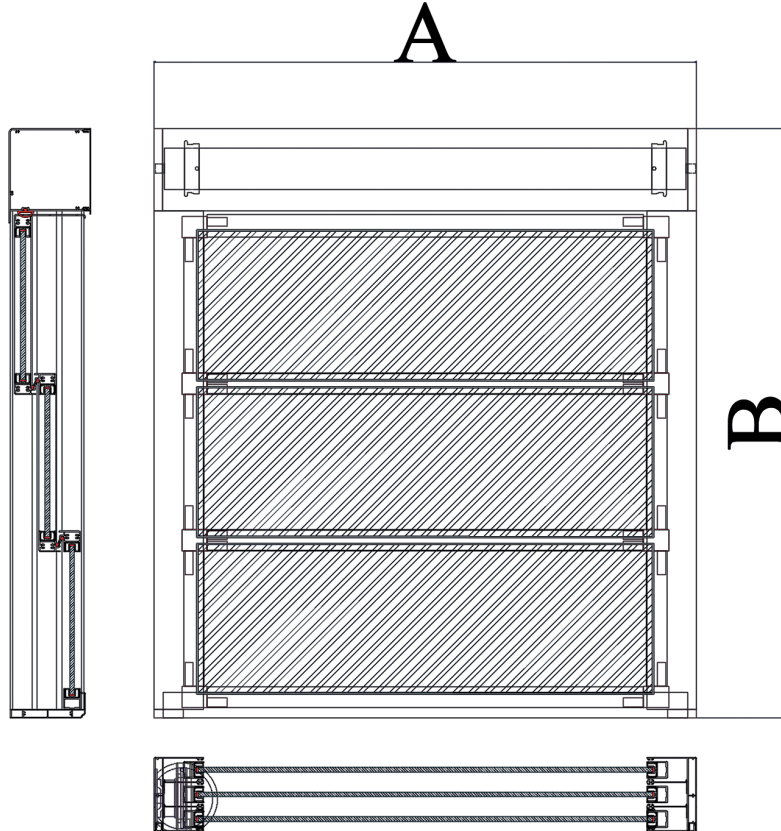


- The options of 8mm single tempered glass or 24mm double glaze tempered glass
- Compact design for easy installations
- Options of buying with belt or chain lifting mechanism
- Fast installation of glass wings thanks to the special design of side profile structure
- Specially designed cover profiles for right and left sides to cover the belt/chain canals

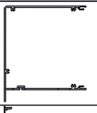

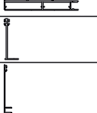
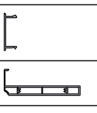


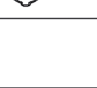



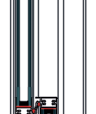
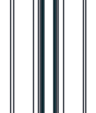


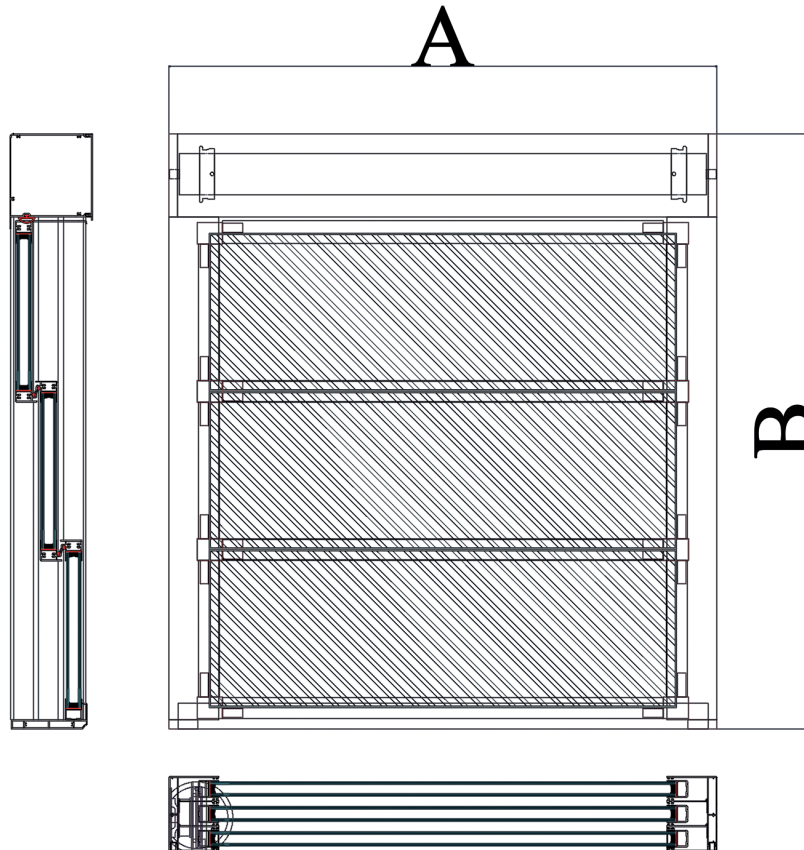
## 8mm Tempered Glass Cut Size List

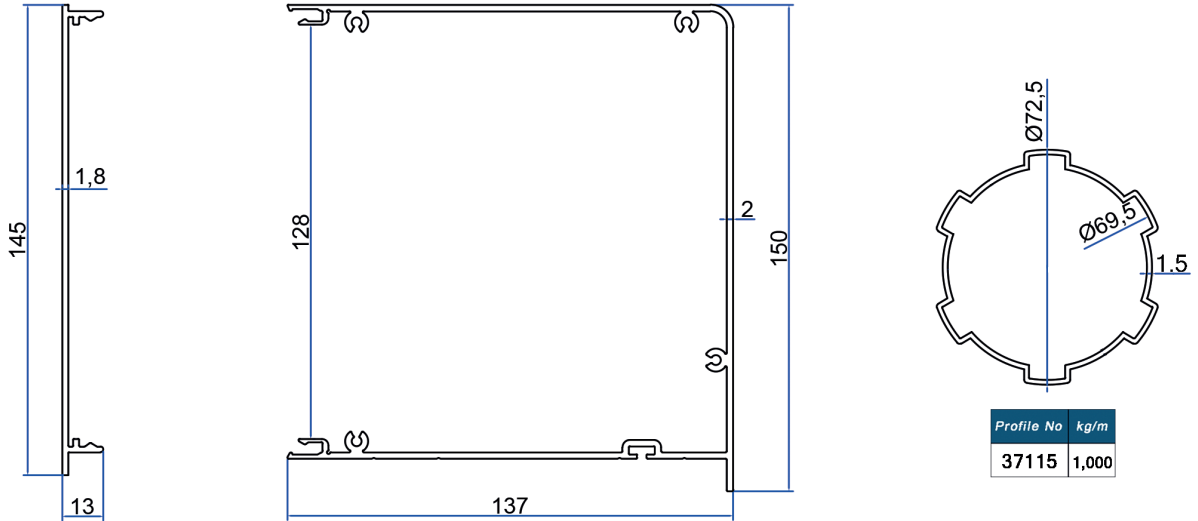
| KALIP NO | TEKNİK RESİM | ÖRÜN ADI   | ADET | KESİM ÖLÇÜSÜ                           |
|----------|--------------|--|------|--|
| 37272    |              | MOTOR KASASI ( DIŞ )                             | 1    | A-29mm                                 |
| 37271    |              | MOTOR KAPAĞI ( İÇ )                              | 1    | A-30mm                                 |
| 37267    |              | RAP PROFİLİ                                      | 2    | B-155mm                                |
| 37268    |              | RAY İÇ KAPAMA PROFİLİ                            | 4    | B-156mm                                |
| 37269    |              | RAY DIŞ KAPAMA TIRNAKLI PROFİLİ                  | 2    | B-183mm                                |
| 37270    |              | RAY KAPAMA PROFİLİ                               | 2    | KALIP NO<br>(37267-37263)+74mm         |
| 37266    |              | ALT BAZA   | 1    | A-30mm                                 |
| 37265    |              | KAPAK PROFİLİ (24mm ısı cam için)                | 1    | A-180mm                                |
| 37264    |              | TIRNAKLI PROFİLİ (24mm ısı cam için)             | 4    | A-180mm                                |
| 37263    |              | TIRNAKSIZ 1. CAM ALT PROFİLİ (24mm ısı cam için) | 1    | A-180mm                                |
| 37263    |              | TIRNAKSIZ YAN DİKME PROFİLİ (24mm ısı cam için)  | 6    | KALIP NO<br>37267/3-50mm               |
| 37281    |              | 8 MM CAM ADAPTÖRÜ                                | 1    | A-180mm                                |
| 37281    |              | 8 MM CAM ADAPTÖRÜ                                | 6    | KALIP NO<br>37267/3-50mm               |
| 37115    |              | MOTOR BORUSU                                     | 1    | HER MOTORA GÖRE<br>DEĞİŞİKLİK YAPAR    |
|          |              | 8 mm TEMPERLİ CAM HESAPLAMASI                    | 3    | (L) A-148mm<br>(H) B (37267/3-50mm)+21 |



## 24mm Tempered Glass Cut Size List

| KALIP NO | TEKNİK RESİM  | ORÖN ADI  | ADET | KESİM ÖLÇÜSÜ                           |
|----------|---|---|------|--|
| 37272    |    | MOTOR KASASI ( DIŞ )                            | 1    | A-29mm                                 |
| 37271    |    | MOTOR KAPAĞI ( İÇ )                             | 1    | A-30mm                                 |
| 37267    |    | RAP PROFİLİ                                     | 2    | B-155mm                                |
| 37268    |    | RAY İÇ KAPAMA PROFİLİ                           | 4    | B-156mm                                |
| 37269    |    | RAY DIŞ KAPAMA TIRNAKLI PROFİLİ                 | 2    | B-183mm                                |
| 37270    |    | RAY KAPAMA PROFİLİ                              | 2    | KALIP NO<br>(37267-37263)+74mm         |
| 37266    |   | ALT BAZA  | 1    | A-30mm                                 |
| 37265    |  | KAPAK PROFİL (24mm ısı cam için)                | 1    | A-180mm                                |
| 37264    |  | TIRNAKLI PROFİL (24mm ısı cam için)             | 4    | A-180mm                                |
| 37263    |  | TIRNAKSIZ 1. CAM ALT PROFİL (24mm ısı cam için) | 1    | A-180mm                                |
| 37263    |  | TIRNAKSIZ YAN DİKME PROFİL (24mm ısı cam için)  | 6    | KALIP NO<br>37267/3-50mm               |
| 37115    |  | MOTOR BORUSU                                    | 1    | HER MOTORA GÖRE<br>DEĞİŞİKLİK YAPAR    |
|          |   | 24 mm TEMPERLİ CAM HESAPLAMASI                  | 3    | (L) A-138mm<br>(H) B (37267/3-50mm)+21 |

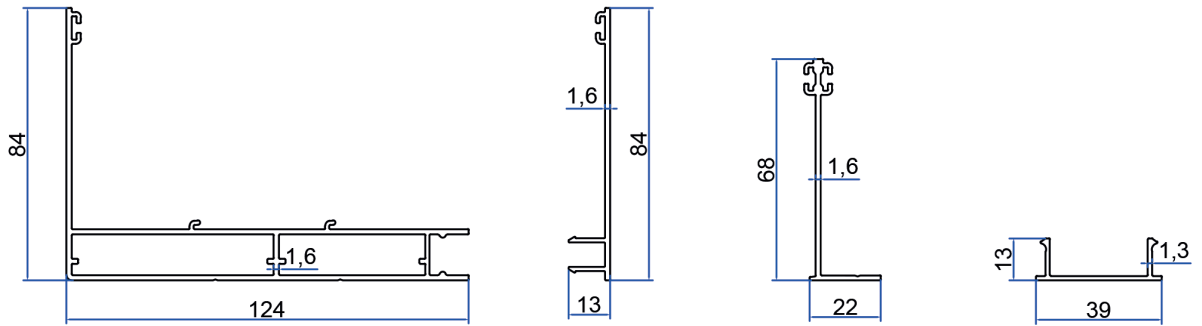




| Profile No | kg/m  |
|------------|-------|
| 37115      | 1,000 |

| Profile No | kg/m  |
|------------|-------|
| 37271      | 0,847 |

| Profile No | kg/m  |
|------------|-------|
| 37272      | 2,645 |

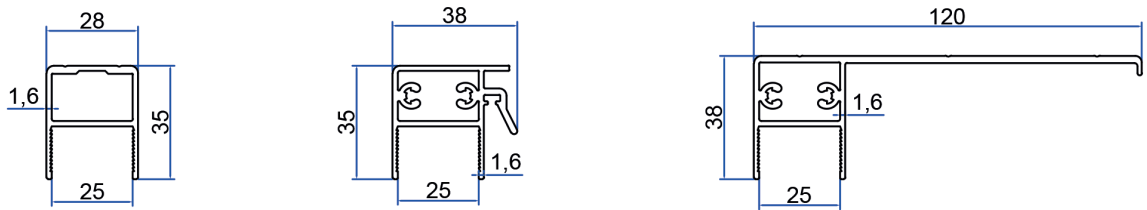


| Profile No | kg/m  |
|------------|-------|
| 37267      | 1,624 |

| Profile No | kg/m  |
|------------|-------|
| 37269      | 0,475 |

| Profile No | kg/m  |
|------------|-------|
| 37268      | 0,464 |

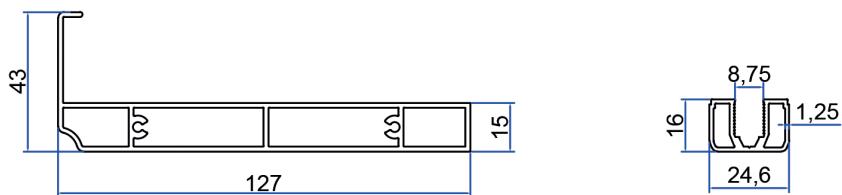
| Profile No | kg/m  |
|------------|-------|
| 37270      | 0,230 |



| Profile No | kg/m  |
|------------|-------|
| 37263      | 0,545 |

| Profile No | kg/m  |
|------------|-------|
| 37264      | 0,825 |

| Profile No | kg/m  |
|------------|-------|
| 37265      | 1,285 |



| Profile No | kg/m  |
|------------|-------|
| 37266      | 1,483 |

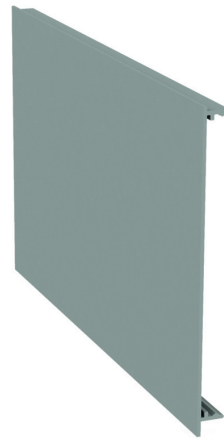
| Profile No | kg/m  |
|------------|-------|
| 37281      | 0,353 |



Weight kg/m: 2,645 (138 x 160 x 2mm)

### Engine Box Profile

---



Weight kg/m: 0,847 (13 x 145 x 1,8mm)

### Engine Box Cover Profile

---



Weight kg/m: 1,624 (84 x 12x 1,6mm)

### Rail Profile

---



Weight kg/m: 1,483 (15 x 127x 43 x 1,5mm)

### Lower Base Profile

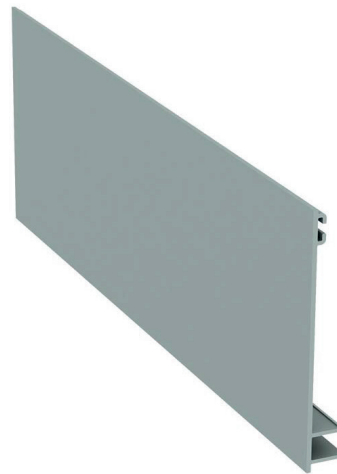
---



Weight kg/m: 0,464 (22 x 68 x 1,6mm)

### Ray Inner Nail Profile

---



Weight kg/m: 0,475 (13 x 84 x 1,6mm)

### Ray External Nail Profile

---



Weight kg/m: 0,230 (13 x 39 x 1,3mm)

### Raif Cover Profile

---



Weight kg/m: 1 (72,5 x 1,5mm)

### Tube Motor Profile

---





Weight kg/m: 1,285 (38 x 120 x 1,6mm)

**24mm Handrail Profile**

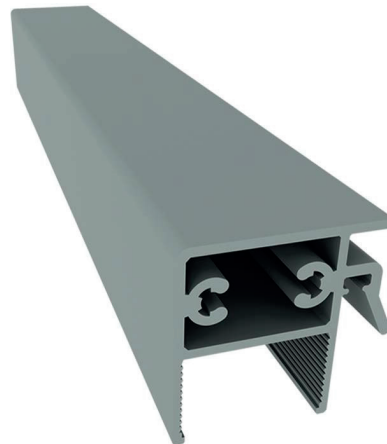
---



Weight kg/m: 0,545 (28 x 35 x 1,6mm)

**24mm Sewing and Bottom Profile**

---



Weight kg/m: 0,825 (38 x 35 x 1,6mm)

**24mm Attractive Profile**

---

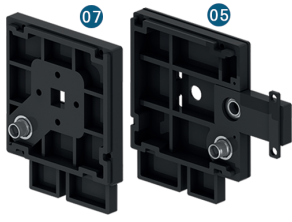


Weight kg/m: 0,353 (24,6 x 16,1 x 1,25mm)

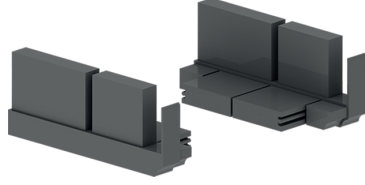
**8mm Adapter**

---

## Guillotine Chain Accessory Set GYT-01



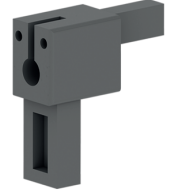
**Tube Engine Cover  
Right Left**  
Product Code: GYT-07 / 05  
Quantity: 2 piece



**Sub-Base and Side  
Profile**  
Product Code: GYT-06  
Quantity: 2 piece



**Plastic Side Cover**  
Product Code: GYT-10  
Quantity: 2 piece



**Glass Corner Connection**  
Product Code: GYT-11  
Quantity: 12 piece



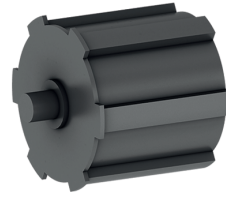
**Sprocket**  
Product Code:  
GYT-12  
Quantity: 2 piece



**Chain**  
Product Code:  
GYT-19  
Quantity: 5 meter



**Chain Connection**  
Product Code:  
GYT-13  
Quantity: 2 piece

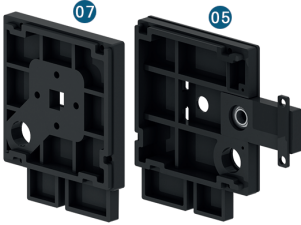


**Pipe Head**  
Product Code:  
GYT-14  
Quantity: 1 piece

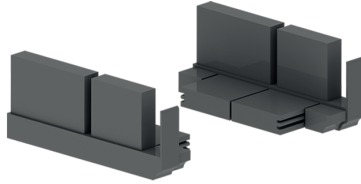


**M12 Civata**  
Product Code:  
M12  
Quantity: 2 piece

## Guillotine Chain Accessory Set GYT-01



**Tube Engine Cover  
Right Left**  
Product Code: GYT-07 / 05  
Quantity: 2 piece



**Sub-Base and Side  
Profile**  
Product Code: GYT-06  
Quantity: 2 piece



**Plastic Side Cover**  
Product Code: GYT-10  
Quantity: 2 piece



**Timig Pulley**  
Product Code: GYT-15  
Quantity: 2 piece



**Kasnak Kayış Sıkıştırma T Sac**  
Product Code: GYT-22  
Quantity: 4 piece



**Kayış Bağlantı Pimi**  
Product Code: GYT-23  
Quantity: 2 piece



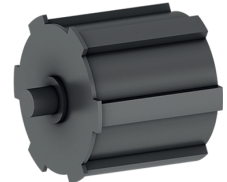
**Kayış Alt Sıkıştırma**  
Product Code: GYT-24  
Quantity: 4 piece



**Belt Bottom Stopping**  
Product Code: GYT-25  
Quantity: 2 piece

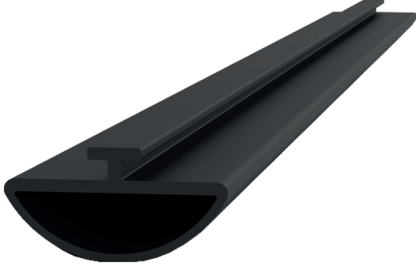


**Glass Corner  
Connection**  
Product Code: GYT-11  
Quantity: 12 piece

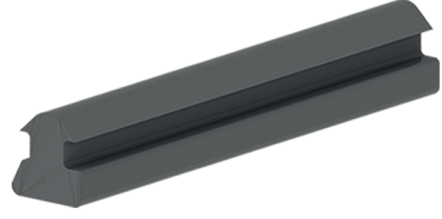


**Pipe Head T**  
Product Code: GYT-14  
Quantity: 1 piece

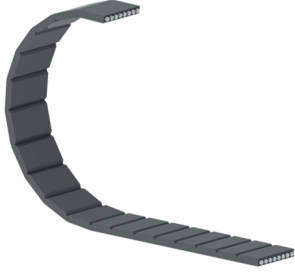
## Guillotine Accessory



**Engine Box Seal**  
Product Code: GYT-28  
1 Roll: 75 meter



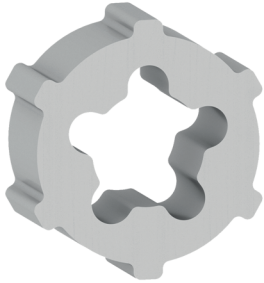
**Kenetli Profil Çantası**  
Product Code: GYT-27  
1 Roll: 300 meter



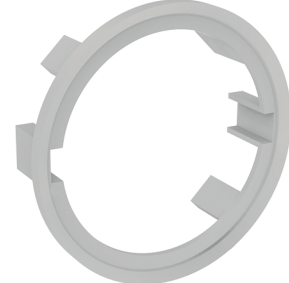
**T3-F20 Kayaş**  
Product Code: GYT-21  
1 Roll: 100 meter



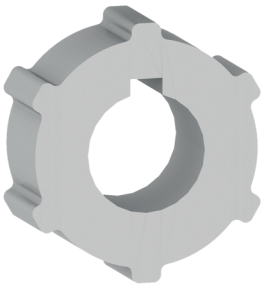
**67x80 Bristle Wick**  
Product Code: GYT-29  
1 Roll: 250 meter



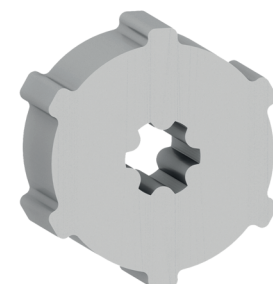
**Guillotine Somfy Engine Apparatus**  
Product Code: GYT-26-1  
Quantity: 1



**Engine Switch Ring**  
Product Code: PRG-151  
Quantity: 1



**Guillotine Universal Engine Apparatus**  
Product Code: GYT-26-3  
Quantity: 1



**Guillotine Becker Engine Apparatus**  
Product Code: GYT-26-2  
Quantity: 1

## Guillotine Bolt Set With Chain GYT-30



**3. 9x22 YHB Screw**  
Product Code:  
Quantity: 8 piece



**4.8x16 YHB Screw**  
Product Code:  
Quantity: 24 piece



**4. 8x60 YHB Screw**  
Product Code:  
Quantity: 24 piece



**M6x22 Inbus Bolt**  
Product Code:  
Quantity: 2 piece



**M3 Fiber Nut**  
Product Code:  
Quantity: 2 piece



**M3x25 Inbus Bolt**  
Product Code:  
Quantity: 2 piece

## Guillotine Bolt Set With Strap GYT-31



**3. 9x22 YHB Screw**  
Product Code:  
Quantity: 8 piece



**4.8x16 YHB Screw**  
Product Code:  
Quantity: 24 piece



**4. 8x60 YHB Screw**  
Product Code:  
Quantity: 24 piece

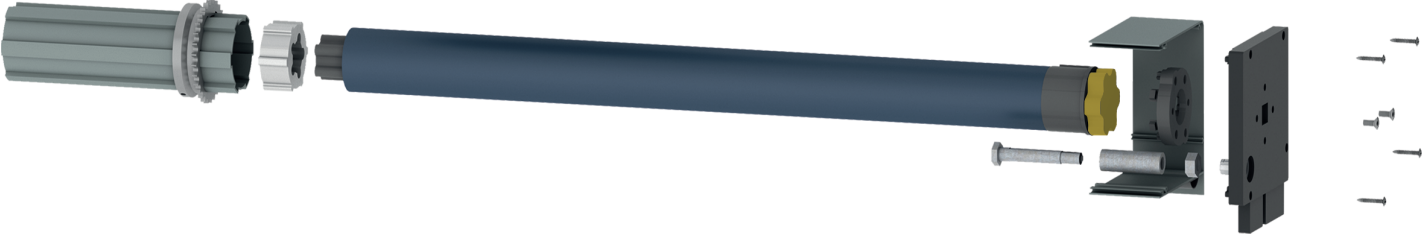
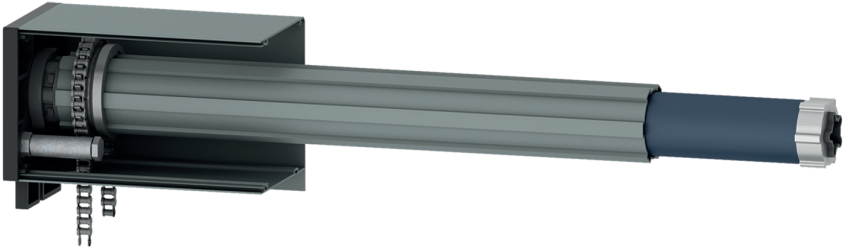
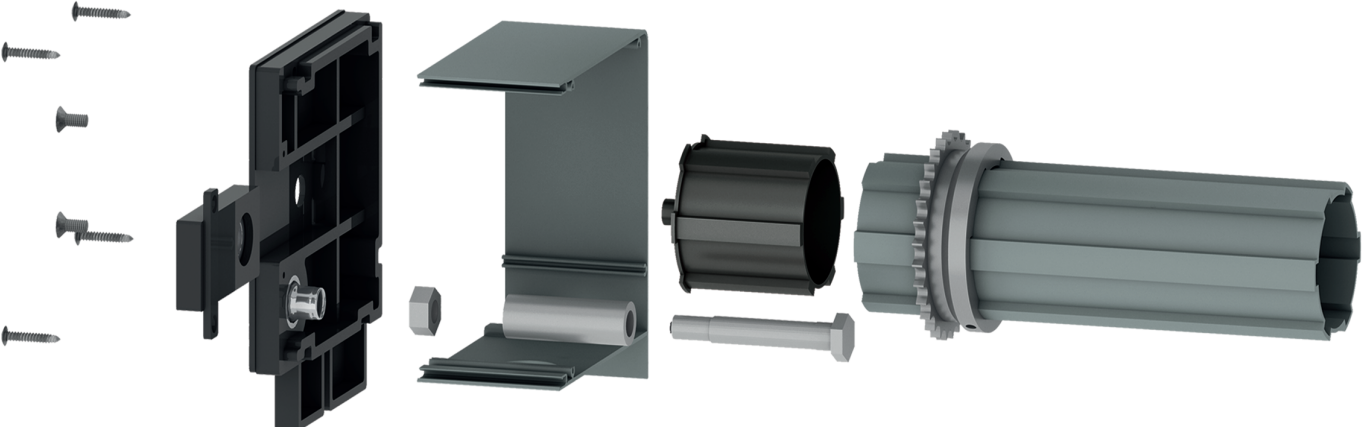
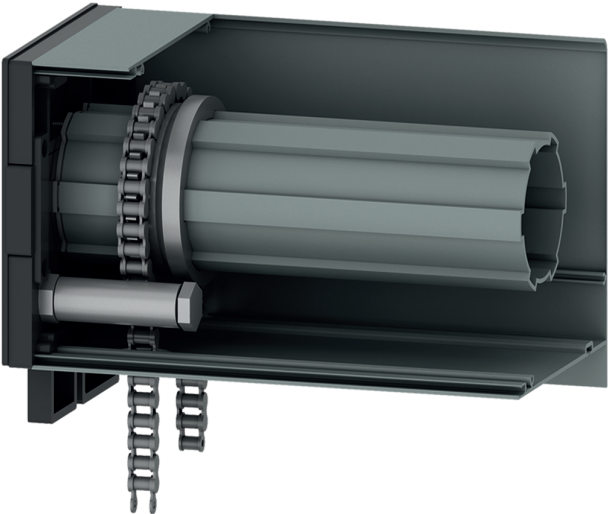


**M6x22 Inbus Bolt**  
Product Code:  
Quantity: 2 piece

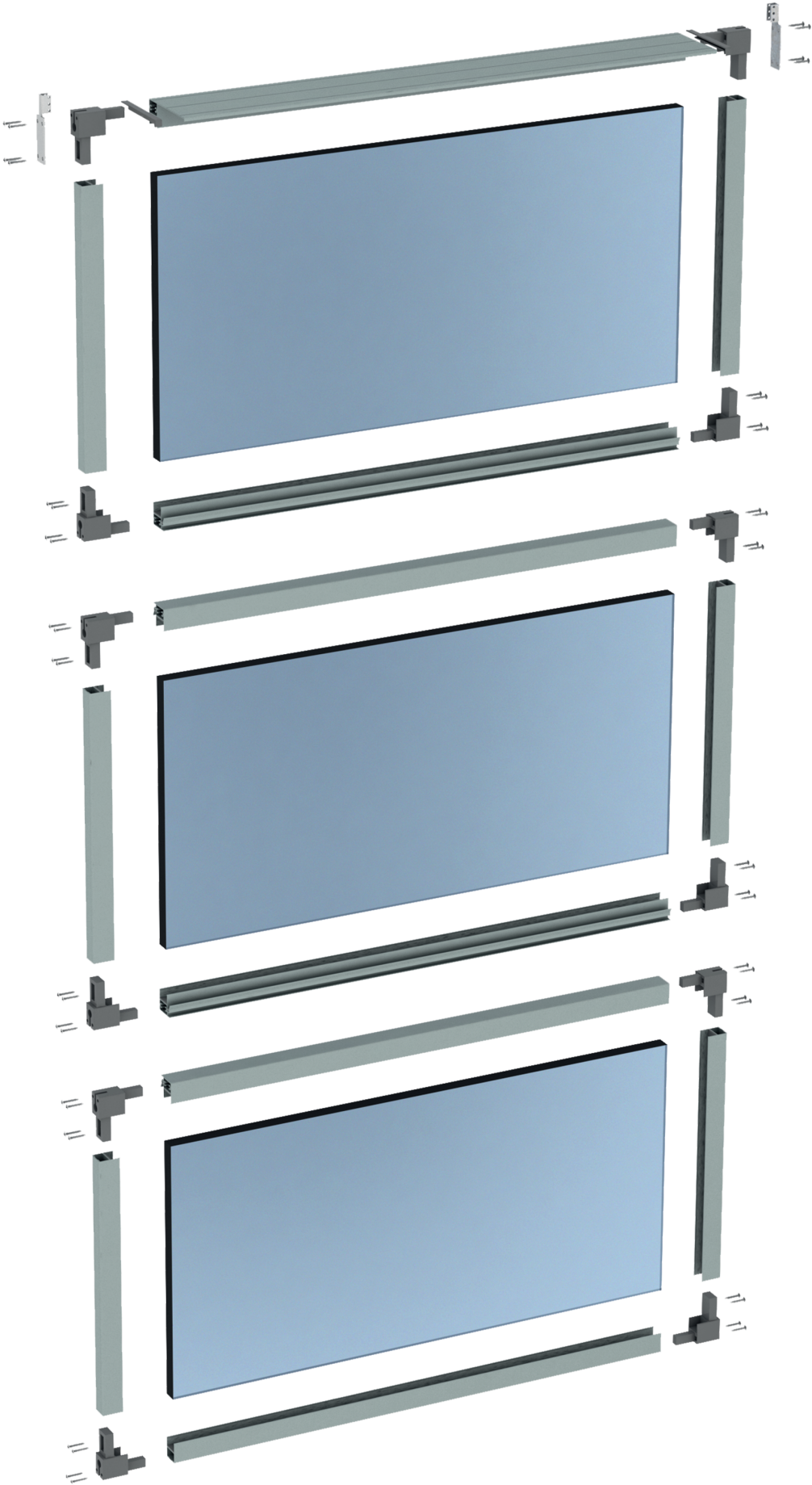
Panorama Glass Montage



Panorama Glass Montage



Panorama Glass Montage









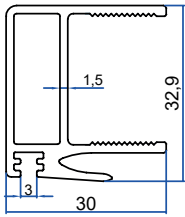
# SLIDING GLASS

TECHNICAL CATALOGUE

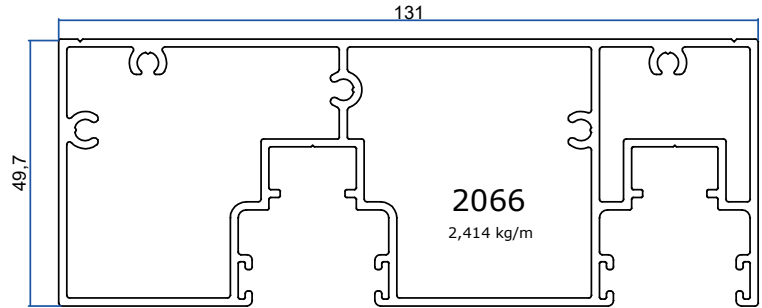
[www.artent.com.tr](http://www.artent.com.tr)

 **Artent**  
PERGOLA, KAPAMA, KAPAMA

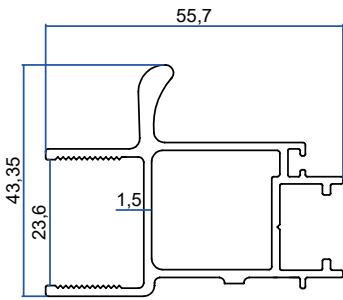
# Sliding Glass System 22 mm



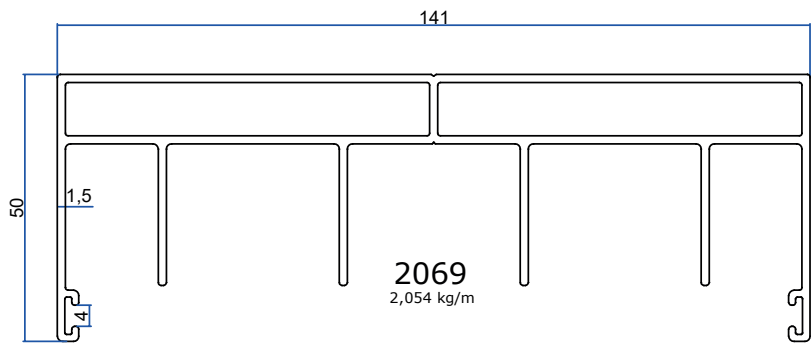
**2065**  
0,585 kg/m



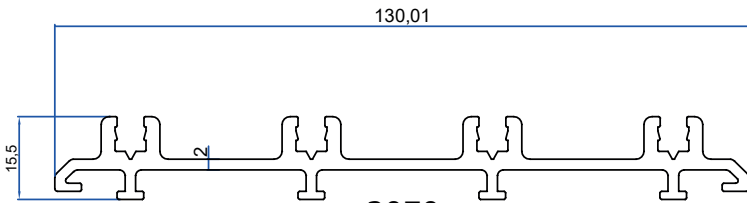
**2066**  
2,414 kg/m



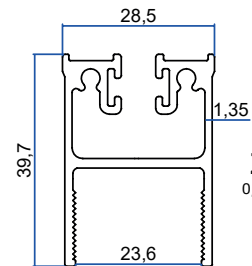
**2068**  
0,878 kg/m



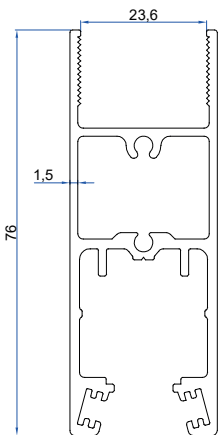
**2069**  
2,054 kg/m



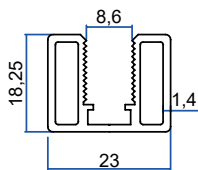
**2070**  
1,480 kg/m



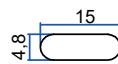
**2071**  
0,703 kg/m



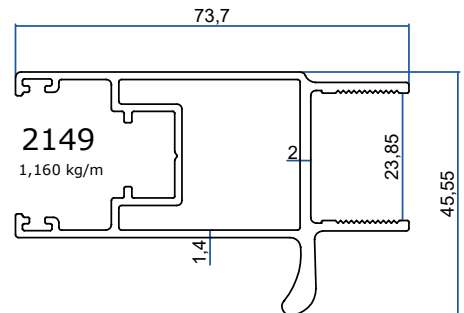
**2565**  
1,205 kg/m



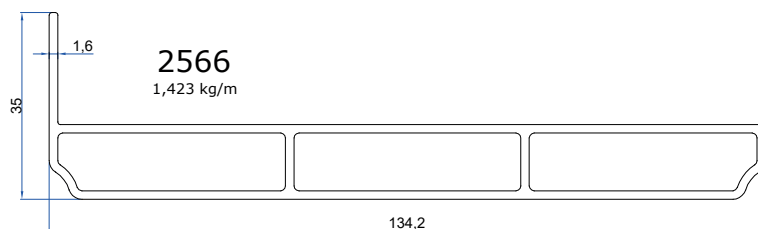
**2150**  
0,375 kg/m



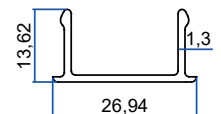
**2117**  
0,185 kg/m



**2149**  
1,160 kg/m

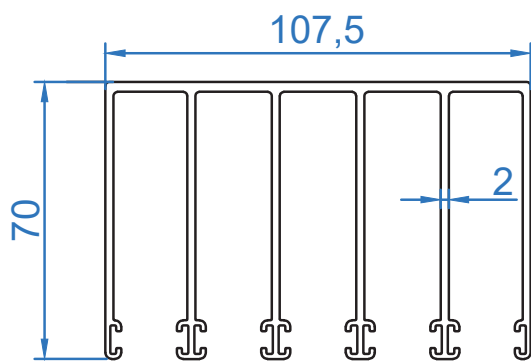


**2566**  
1,423 kg/m

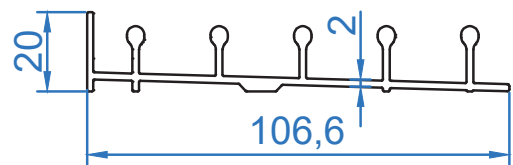


**2067**  
0,186 kg/m

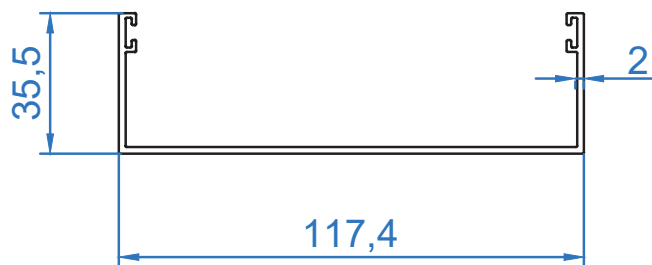
### Top rail



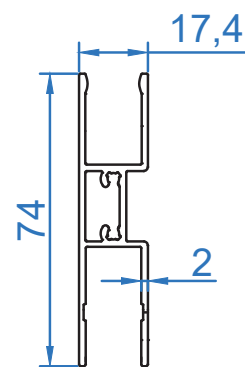
### Bottom rail

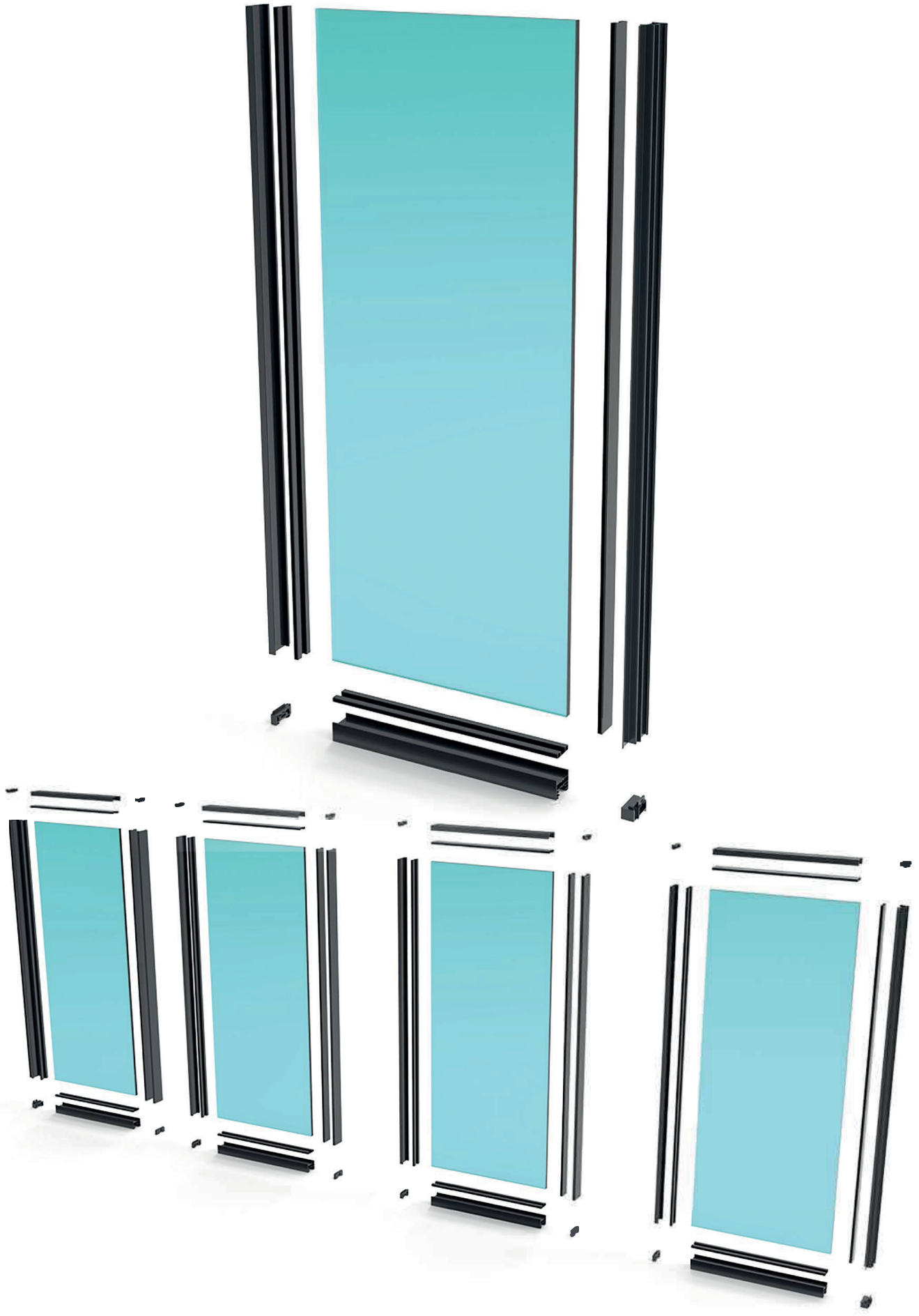


### Side profile



### Bottom frame











# SKYFIX

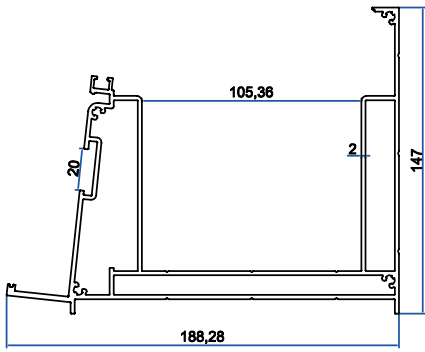
---

TECHNICAL CATALOGUE

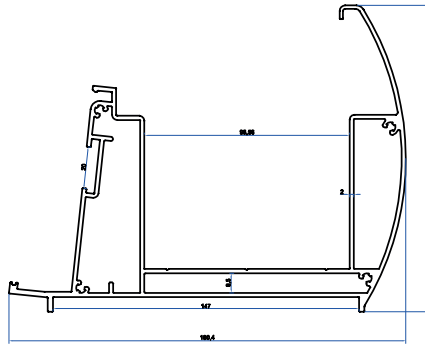
[www.artent.com.tr](http://www.artent.com.tr)

 **Artent**  
PERGOLA & OUTDOOR DESIGN

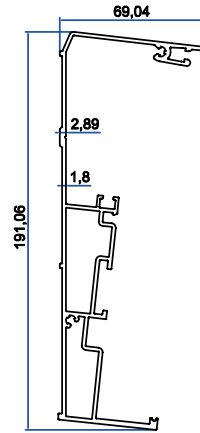
# Antoryum Oval System



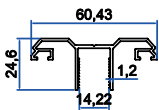
**2530**  
4,721 kg/m



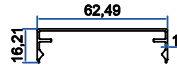
**2594**  
4,618 kg/m



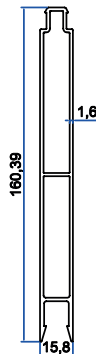
**2532**  
2,651 kg/m



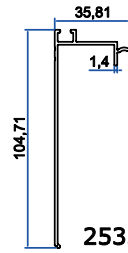
**2534**  
0,515 kg/m



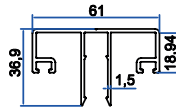
**2535**  
0,312 kg/m



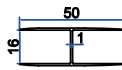
**2546**  
1,591 kg/m



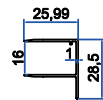
**2533**  
0,600 kg/m



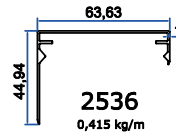
**2007**  
0,925 m/kg



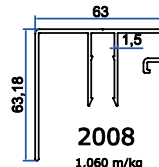
**2539**  
0,290 kg/m



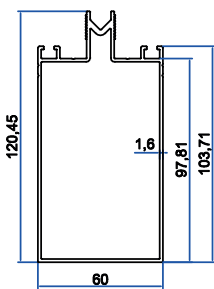
**2538**  
0,210 kg/m



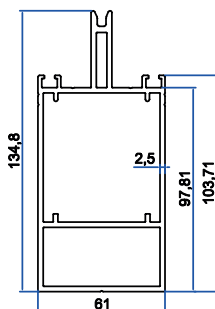
**2536**  
0,415 kg/m



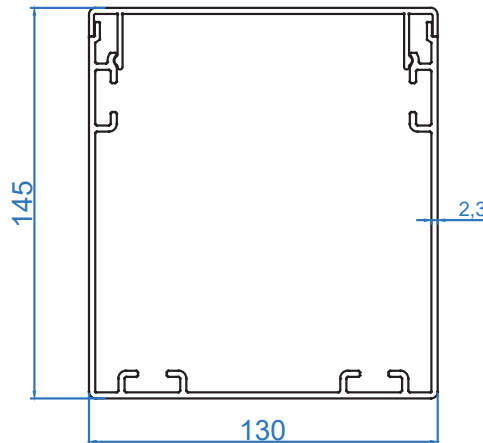
**2008**  
1,060 m/kg



**2490**  
1,721 kg/m



**2005**  
3,230 kg/m







Weight kg/m: 2,555 (187 x 69 x 3mm)

**Winter Garden Rear Hanger**

---



Weight kg/m: 1,025 (130 x 17 x 2,4mm)

**Winter Garden Foot Cover Profile**

---



Weight kg/m: 3,050 (130 x 124 x 2,4mm)

**Winter Garden Foot Profile**

---



Weight kg/m: 4,113 (150 x 158 x 2,5mm)

### Winter Garden Radius Gutter



Weight kg/m: 1,060 (63 x 63 x 1,8mm)

### Winter Garden Cover Profile (Right and Left)



Weight kg/m: 0,925 (37 x 63 x 1,8mm)

### Winter Garden Cover Profile



Weight kg/m: 3,230 (135 x 61 x 2,5mm)

### Winter Garden Glass Holder



Weight kg/m: 0,177 (40 x 20 x 1,1mm)

### Winter Garden Bracket



Weight kg/m: 0,890 (106 x 11 x 2,6mm)

### Winter Garden Gutter and Rear Inner Cover



Weight kg/m: 1,591 (160 x 16 x 1,6mm)

### 15x160 Paneling



Weight kg/m: 0,180 (21 x 26 x 1mm)

### 8mm F Profile

Weight kg/m: 0,230 (11 x 50 x 1mm)

### 8mm H Profile



Weight kg/m: 0,210 (28,5 x 16 x 1 mm)

### 16mm F Profile



Weight kg/m: 0,290 (16 x 50 x 1mm)

### 16mm H Profile



Weight kg/m: 0,240 (43 x 26 x 1mm)

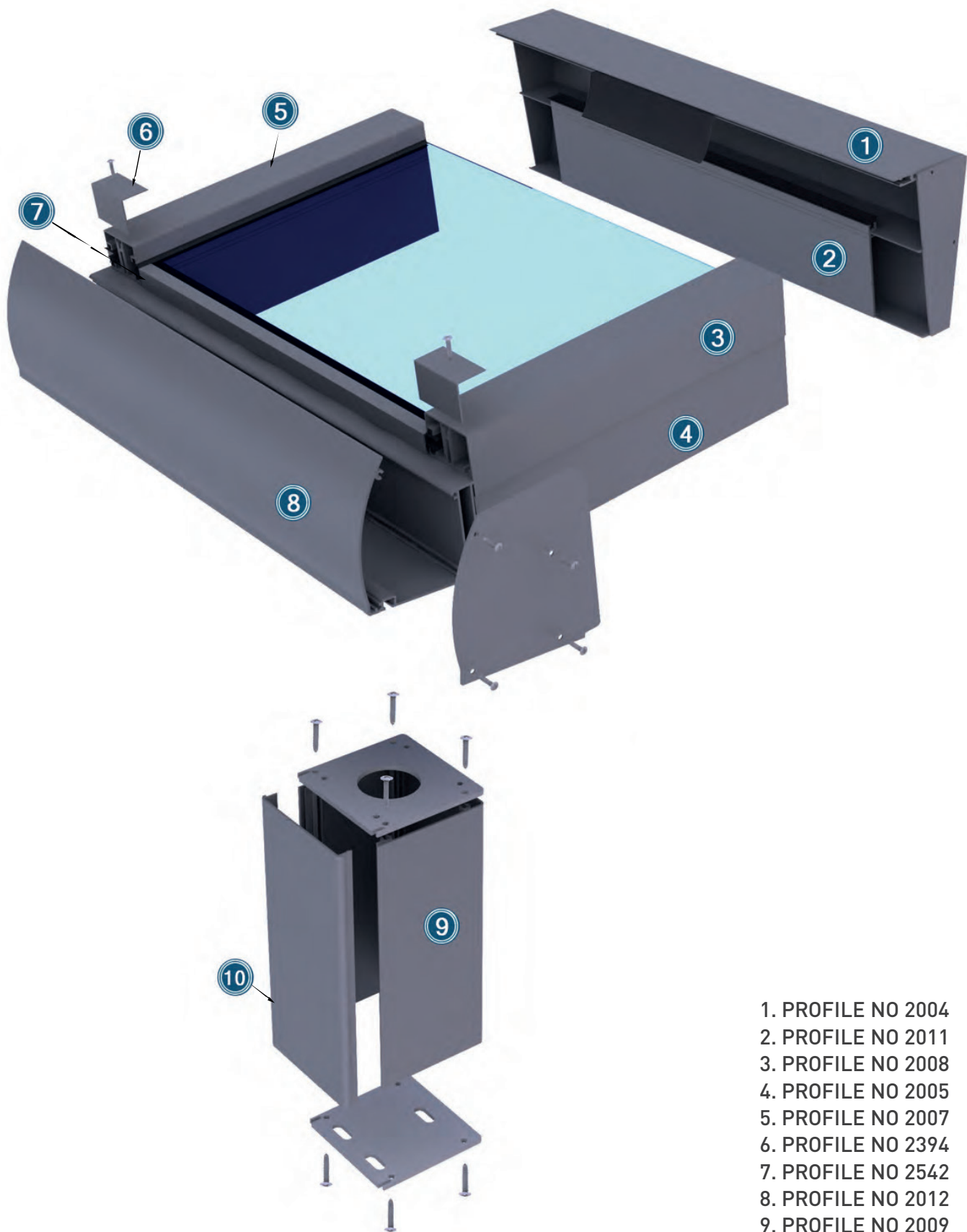
### 24mm F Profile



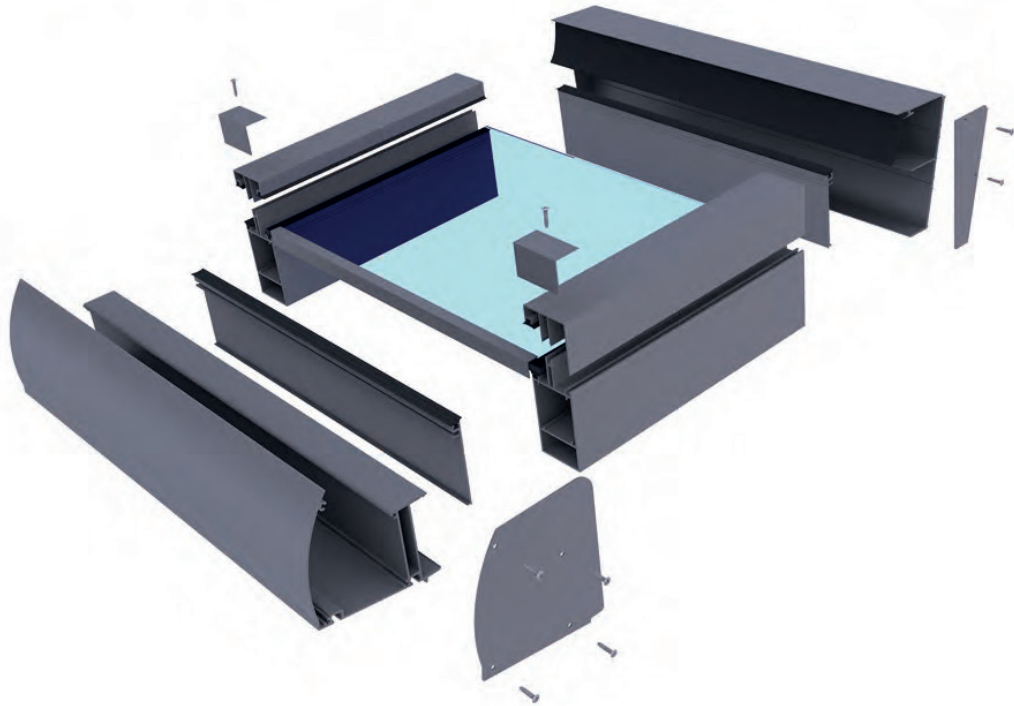
Weight kg/m: 0,285 (33 x 50 x 1mm)

### 24mm H Profile

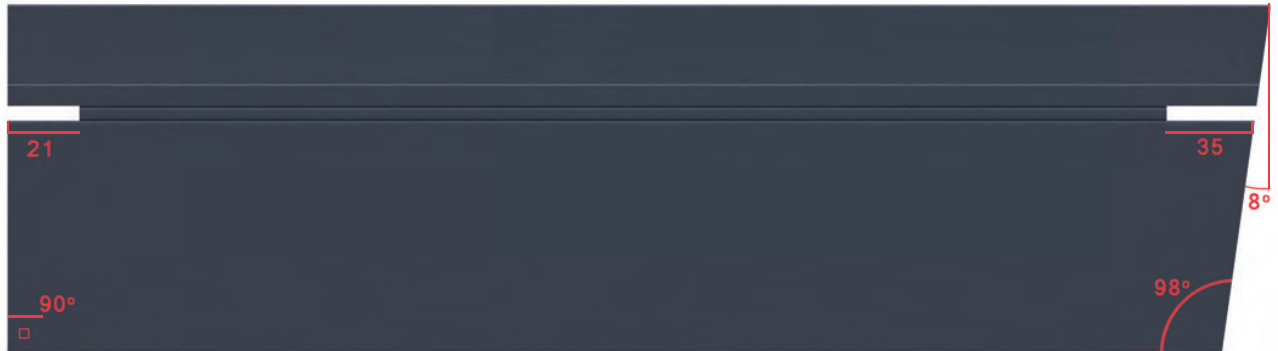




- 1. PROFILE NO 2004
- 2. PROFILE NO 2011
- 3. PROFILE NO 2008
- 4. PROFILE NO 2005
- 5. PROFILE NO 2007
- 6. PROFILE NO 2394
- 7. PROFILE NO 2542
- 8. PROFILE NO 2012
- 9. PROFILE NO 2009
- 10. PROFILE NO 2010



# Antoryum Oval Loss Operation

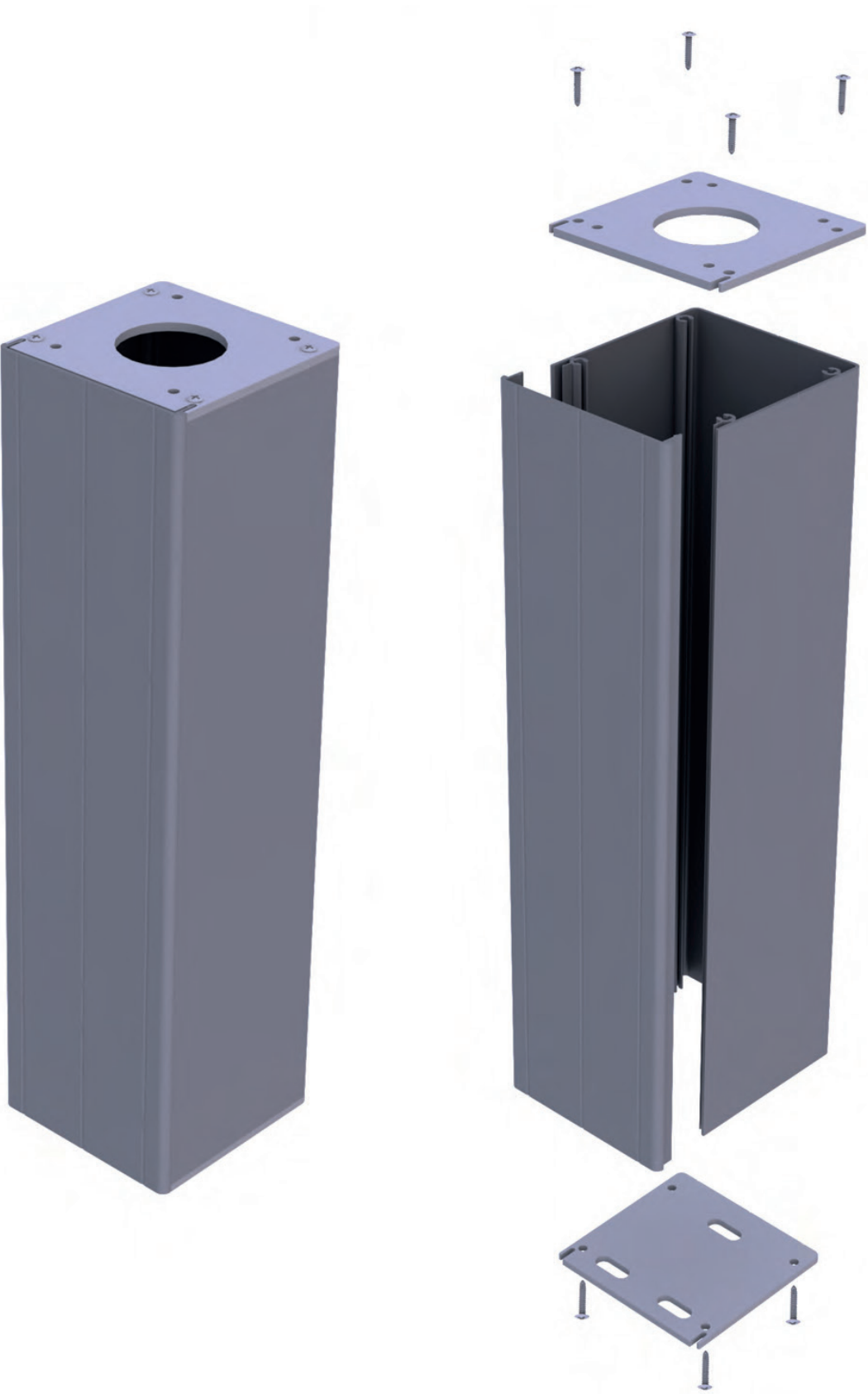


ÖN  
FRONT

ARKA  
REAR



Antoryum Oval Foot Connection





## Antoryum Accessories



**Print Gasket**  
Product Code: KIS-09  
1 Roll: 174 mt/15 kg



**Back Print Gasket**  
Product Code: KIS-10  
1 Roll: 41 mt/15 kg



**24V / 5A Led Transformer**  
Product Code: KIS-21



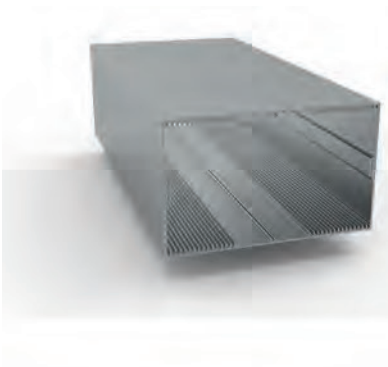
**75 Filter**  
Product Code: KIS-08



**10x80 Steel Flat Bar**



**24V Led**  
Product Code: KIS-22  
Box Piece: 100



**Winter Garden Control Unit**  
Product Code: KIS-35



**2x0. 75 Nyaf Cable**  
Product Code: KIS-23 1  
1 Roll: 100 mt

## Antoryum Bolt Set

### 4.Bx19 Screw

Box Piece: 1000

Groove Sheet Screw



### 4.8x45 YHB Screw

Box Piece: 300

Glass Retainer Screw



### 6.3x23 Screw

Box Piece: 350

Foot Laser Connection Screw



### 7.5x150 Concrete Screw

Box Piece: 300

Shoe and Wall Fixing Screw



### m8x12 Screw

Box Piece: 200

Foot and Groove Fixing Screw Antoryum Oval



## Antoryum Flat Laser Cut Parts

Product Code: KIS-24

Mold Number: Used in profile no 2532

### Rear Hanger Plate



Product Code: KIS-25

Mold Number: Used in profile no 2530

### Gutter Shee



Product Code: KIS-26

Mold Number: Used in profile no 2301, 2302

### Covered Foot Template



Product Code: KIS-27

Mold Number: Used in profile no 2301, 2302

### Covered Foot Top Connection Plate



Product Code: KIS-28

Mold Number: Used in profile no 2301, 2302

### Covered Foot Bottom Vonnection Plate



## Antoryum Flat Laser Cut Parts

Product Code: KIS-29

Mold Number: Used in profile no 2594

### Oval Gutter Sheet



Product Code: KIS-30

Mold Number: Used in profile no 2111

### Capless Foot Template



Product Code: KIS-31

Mold Number: Used in profile no 2111

### Coverless Foot Top Connection Plate



Product Code: PRG-84

Mold Number: Used in profile no 2111

### 110x145 Shoe



Product Code: KIS-33

Mold Number: Used in profile no 2490, 2530, 2594

### L Connection Plate



## Antoryum Flat Laser Cut Parts

Product Code: KIS-02

Mold Number: Used in profile no 2009, 2010

**Covered Foot Top Connection Plate**



Product Code: KIS-03

Mold Number: Used in profile no 2009, 2010

**Covered Foot Bottom Vonnection Plate**



Product Code: KIS-04

Mold Number: Used in profile no 2004

**Rear Hanger Plate**



Product Code: KIS-05

Mold Number: Used in profile no 2012

**Oval Gutter Sheet**



Product Code: KIS-06

Mold Number: 2012 Gutter Covered Leg Connection

**Lama Nut Sheet**



## Antoryum Glasses

ANTORYUM OVAL: Minimum 8mm - Maximum 24 mm  
ANTORYUM FLAT: Minimum 8mm - Maximum 32 mm

### Insulating Glass



ANTORYUM OVAL: Minimum 8mm - Maximum 12 mm  
ANTORYUM FLAT: Minimum 8mm - Maximum 12 mm

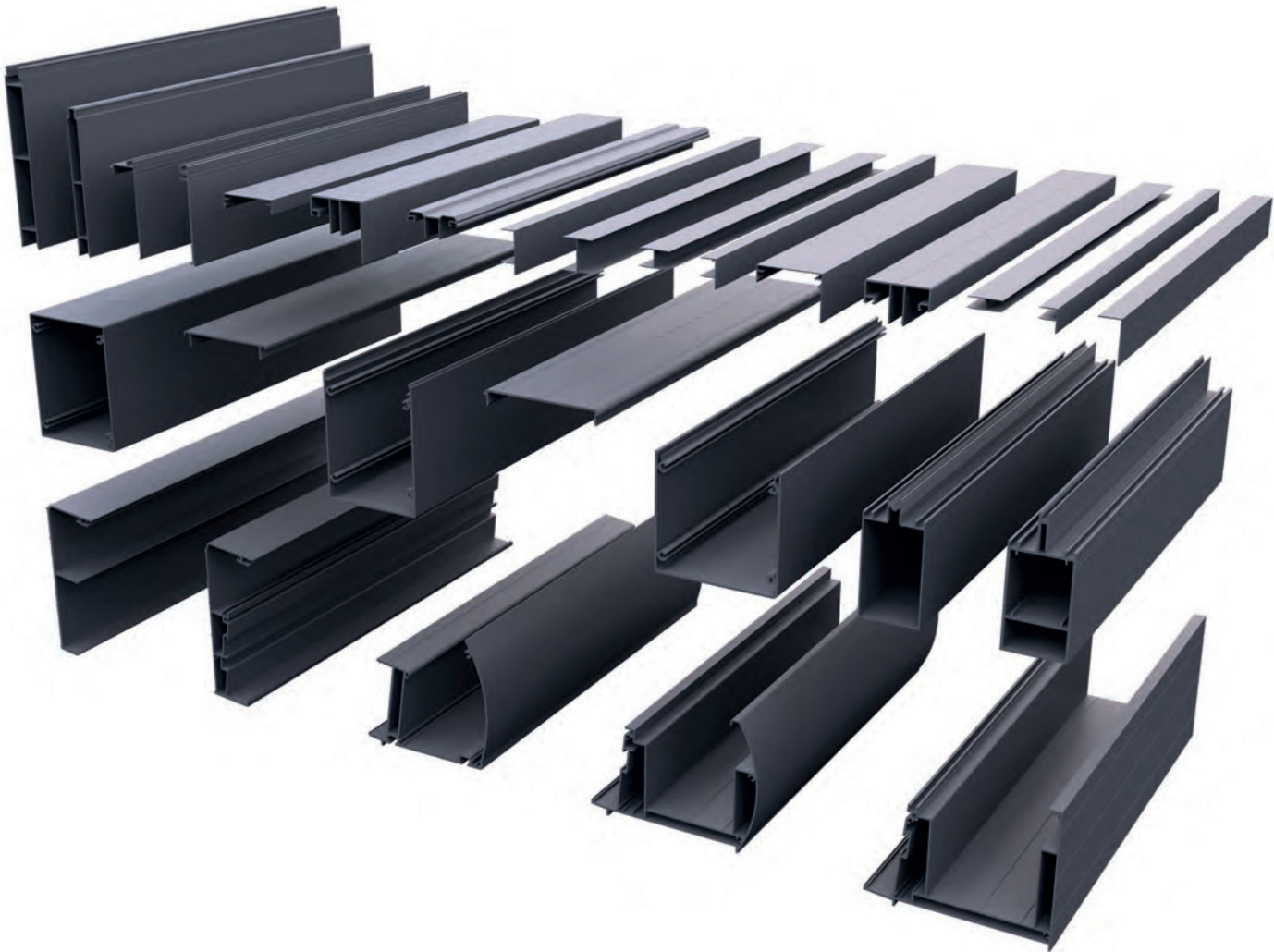
### Laminated Glass



ANTORYUM OVAL: Minimum 8mm - Maximum 24 mm  
ANTORYUM FLAT: Minimum 8mm - Maximum 32 mm

### Polycarbonate









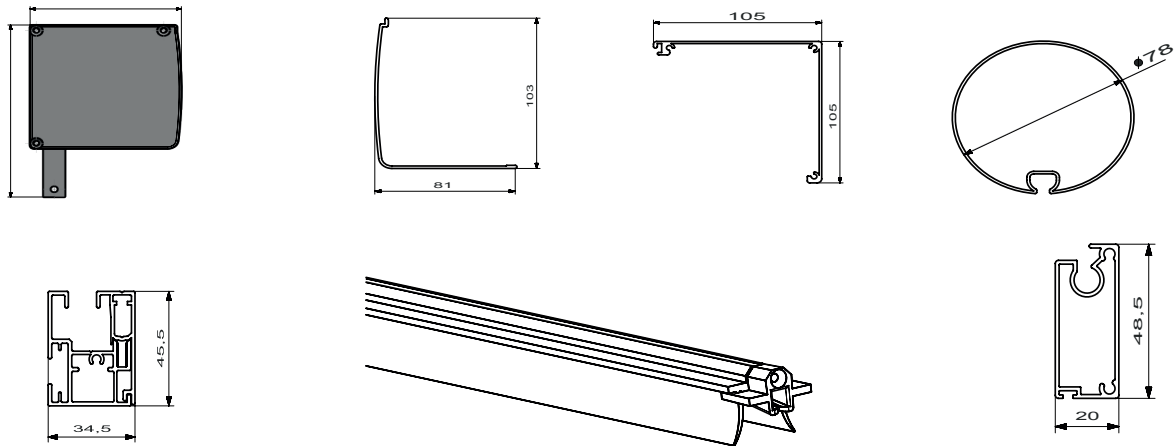
# ZIP SCREENS

TECHNICAL CATALOGUE

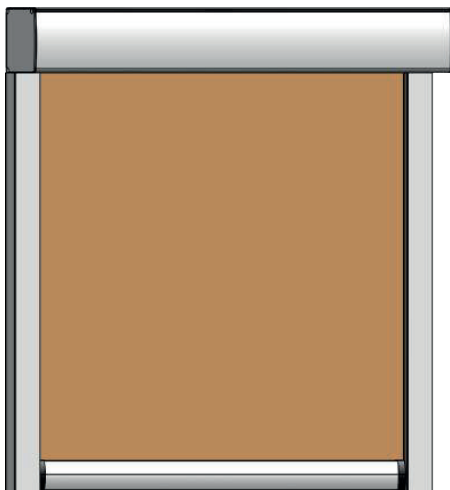
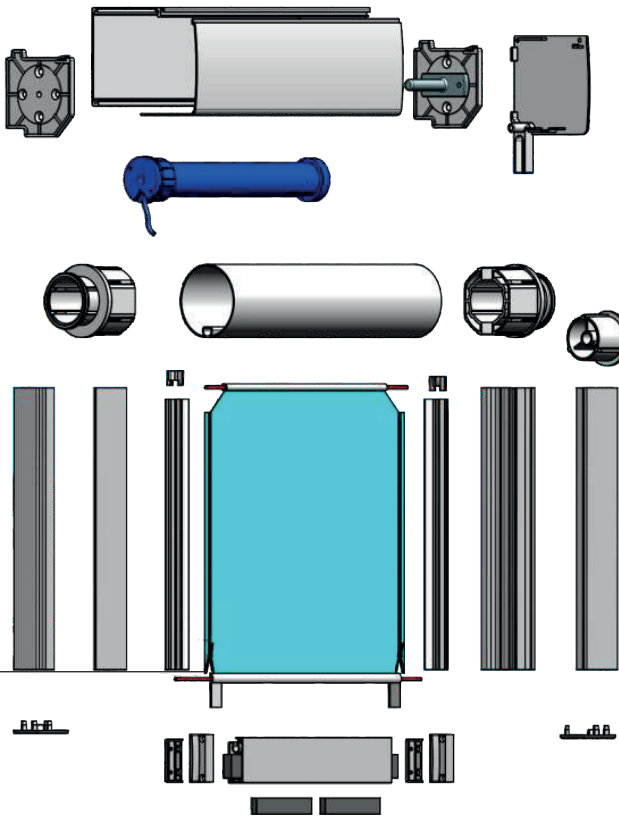
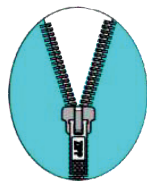
[www.artent.com.tr](http://www.artent.com.tr)

 **Artent**  
PERGOLA & OUTDOOR DESIGN

# Technical Detail



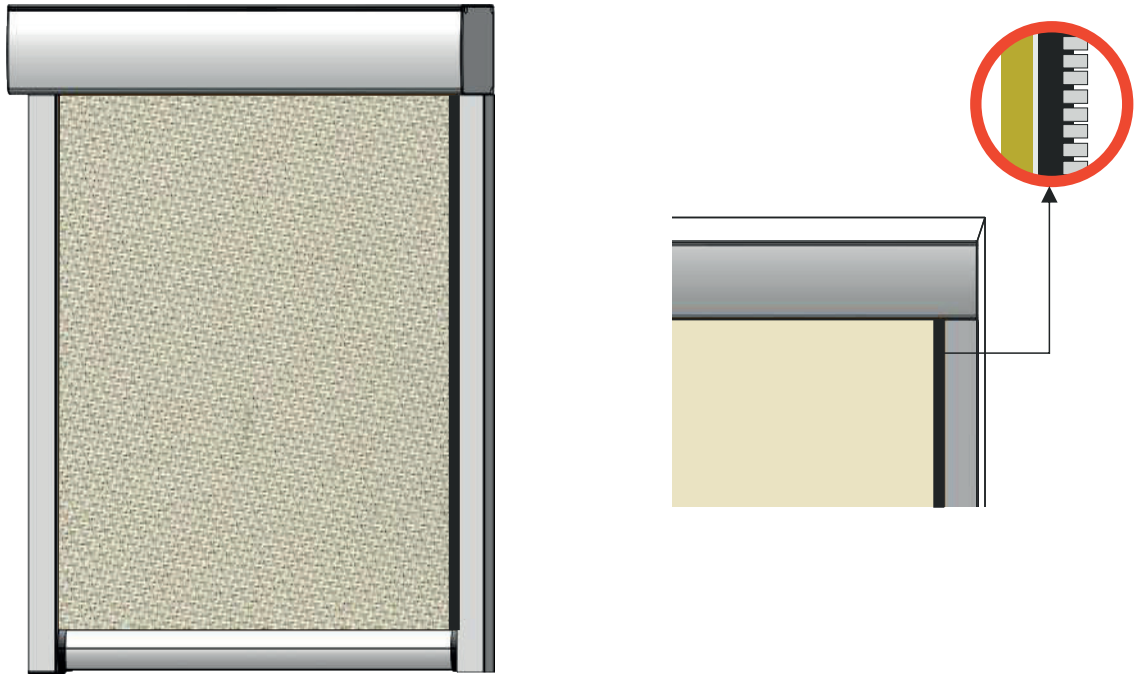
## ZIPPER DETAIL



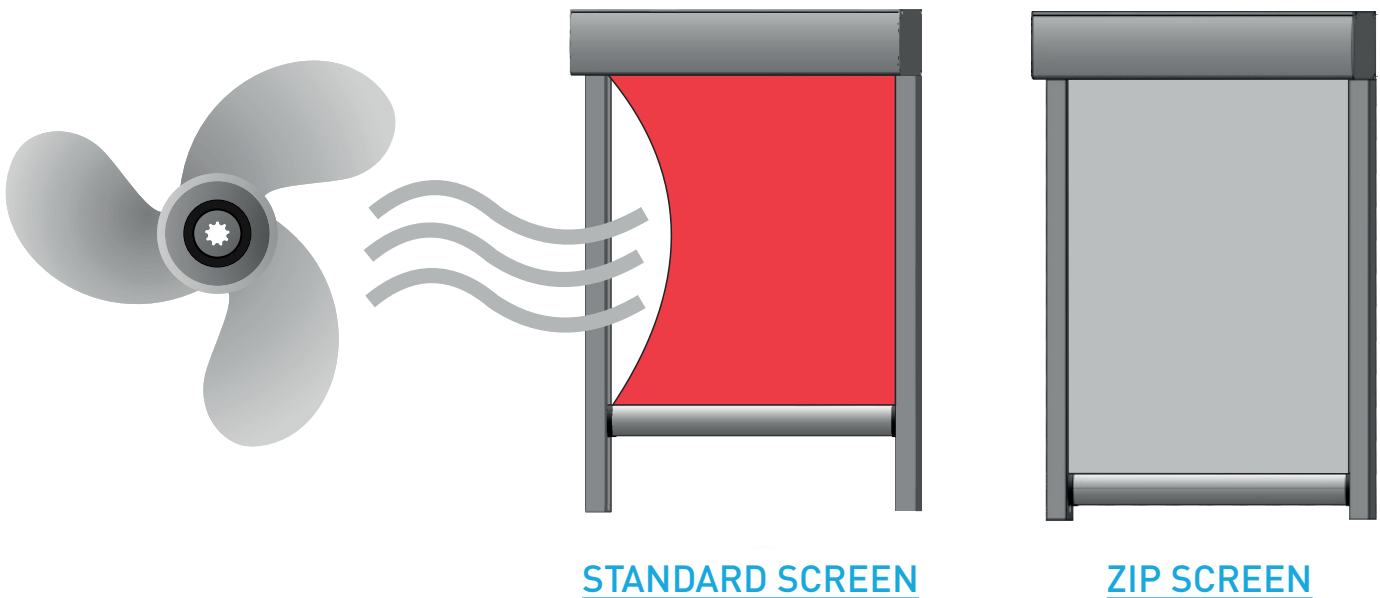
somfy®

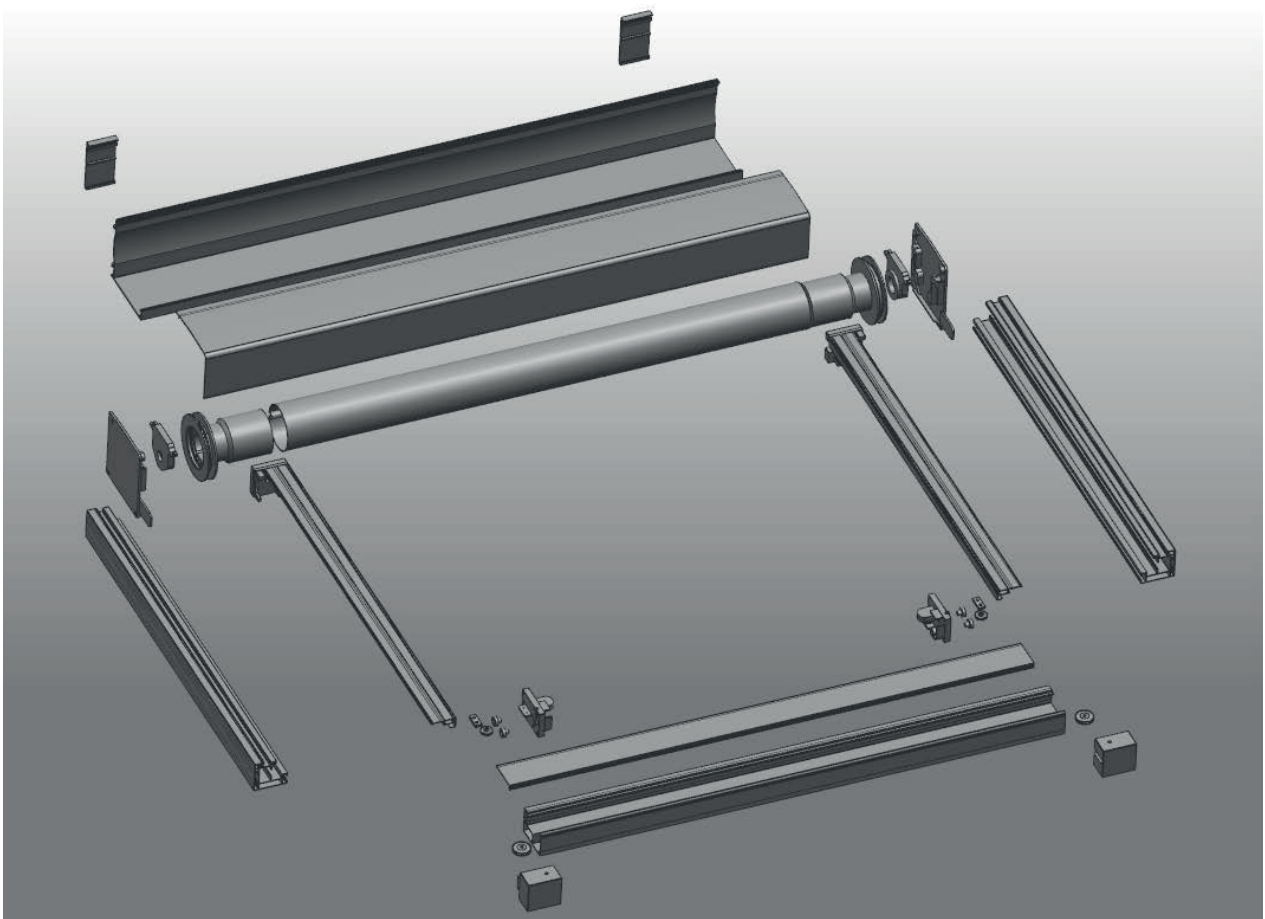
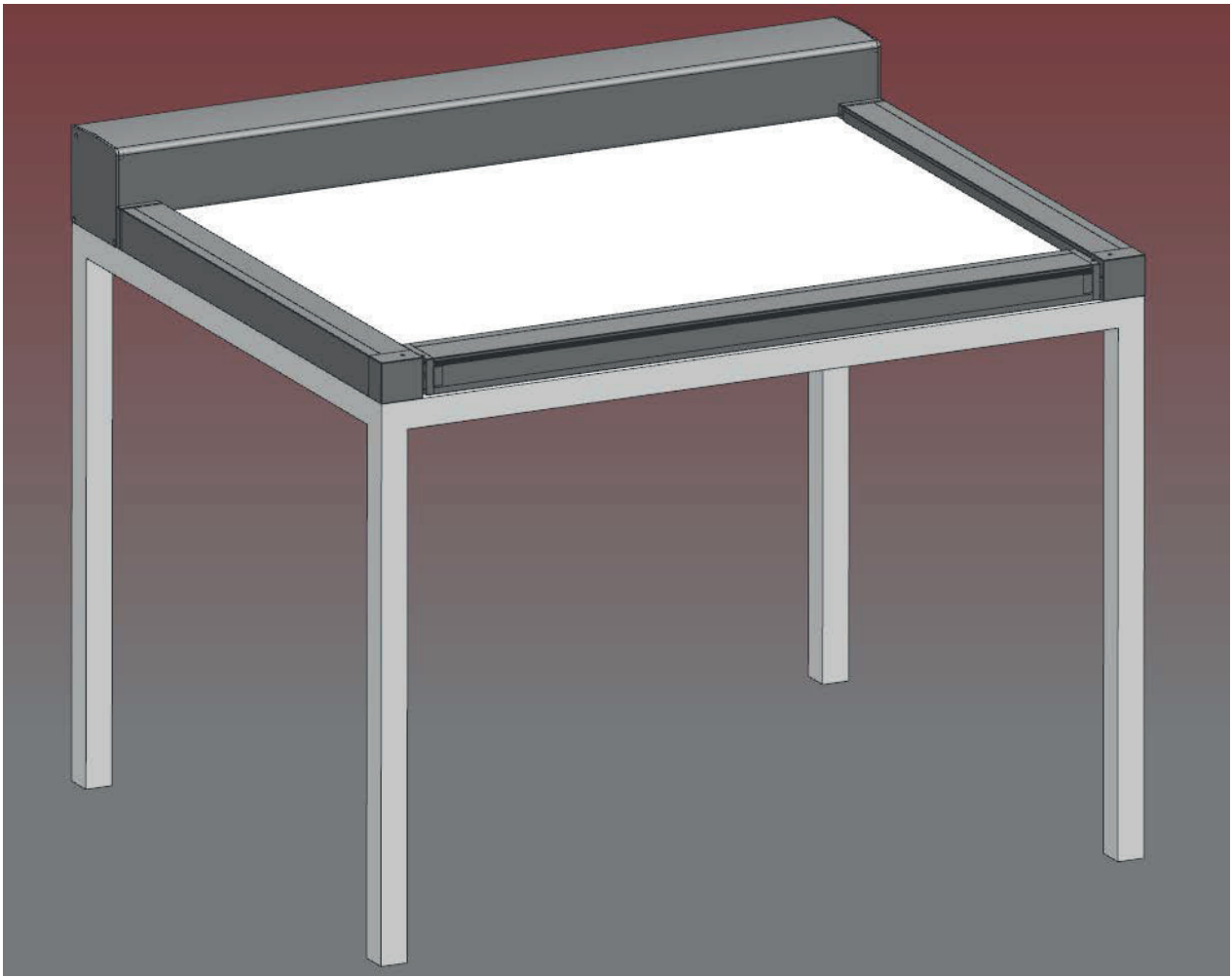
### Zipper Curtain (Zip Curtain)

Zip technology is on the sun protection systems. Zip screens give you advantages of being used amazing facade solutions or roof solutions over your fix glasses.



Thanks to the zipper mechanism in the screen solutions, it gives you to ability to open and close anytime you want with remote controls. With the help of special fabrics, it provides to have air circulation inside of your places or block the air completely based on your fabric choices.









### Zipper Curtain

When the screens are closed, it protects you 100% from insects.



### Zipper Curtain

It prevents the inside to get heated in the summers, protects from soft winds and rains; present a comfortable use in any season.











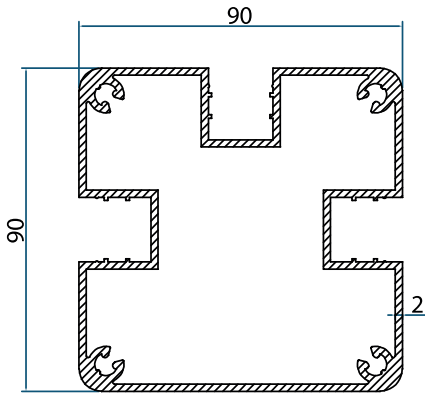
# ALUMINIUM FENCES

TECHNICAL CATALOGUE

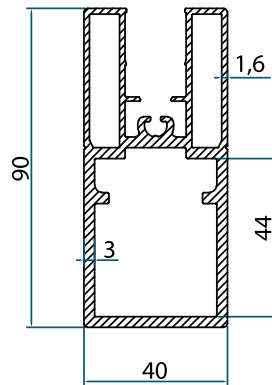
[www.artent.com.tr](http://www.artent.com.tr)

 **Artent**  
PERGOLA & OUTDOOR DESIGN

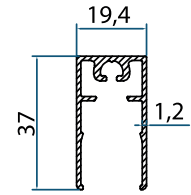
# Garden Fence System



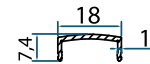
| Profile No | kg/m  |
|------------|-------|
| 8135       | 3,122 |



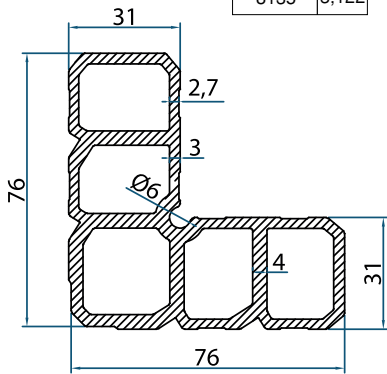
| Profile No | kg/m  |
|------------|-------|
| 8153       | 2,287 |



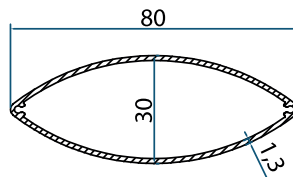
| Profile No | kg/m  |
|------------|-------|
| 8137       | 0,406 |



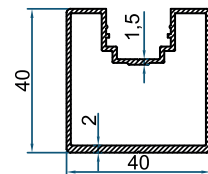
| Profile No | kg/m  |
|------------|-------|
| 8136       | 0,090 |



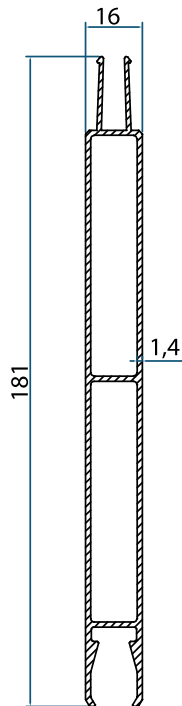
| Profile No | kg/m  |
|------------|-------|
| 2972       | 3,440 |



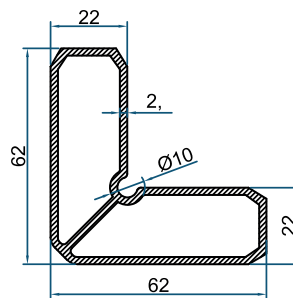
| Profile No | kg/m  |
|------------|-------|
| 2596       | 0,618 |



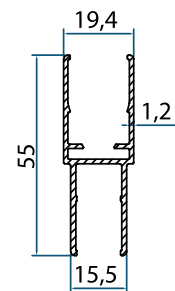
| Profile No | kg/m  |
|------------|-------|
| 8281       | 0,683 |



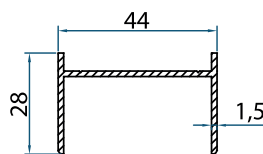
| Profile No | kg/m  |
|------------|-------|
| 8138       | 1,559 |



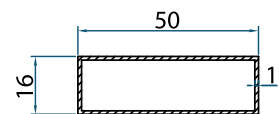
| Profile No | kg/m  |
|------------|-------|
| 2971       | 1,450 |



| Profile No | kg/m  |
|------------|-------|
| 8181       | 0,483 |



| Profile No | kg/m  |
|------------|-------|
| 2595       | 0,393 |



| Profile No | kg/m  |
|------------|-------|
| 2609       | 0,350 |



Weight kg/m: 3,122 ( 90 x 90 x 2mm )

### 90x90 Sewing Profile

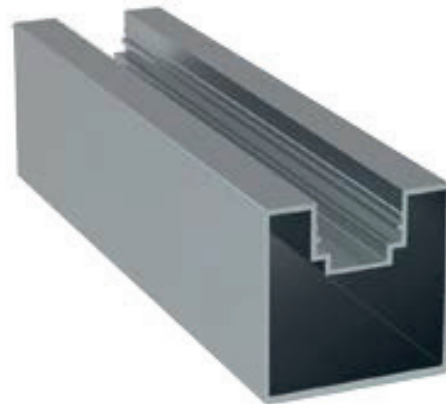
---



Weight kg/m: 0,090 ( 18 x 7,4 x 1mm )

### 90x90 Sewing Cover Profile

---



Weight kg/m: 0,683 ( 40 x 40 x 2mm )

### New Frame Profile

---



Weight kg/m: 0,483 ( 55 x 19,4 x 1,2mm )

### Glass Wing Profile

---



Weight kg/m: 0,406 ( 37 x 19,4 x 1,2mm )

### Top Closing Profile

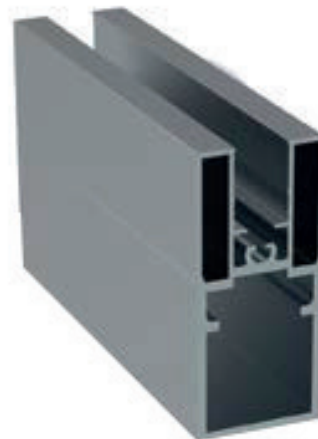
---



Weight kg/m: 0,393 ( 44 x 28 x 1,5mm )

### Sun Shade Side Frame Profile

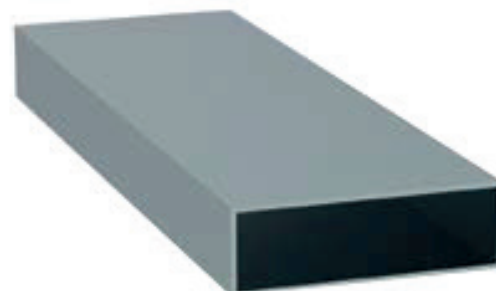
---



Weight kg/m: 2,287 ( 90 x 40 x 3mm )

### Door Wing Profile

---



Weight kg/m: 0,350 ( 50 x 16 x 1mm )

### 50x16 Box Profile

---



Weight kg/m: 0,618 ( 80 x 30 x 1,3mm )

### Sun Shade Profile

---



Weight kg/m: 1,559 ( 181 x 16 x 1,4mm )

### 180 Paneling Profile

---



Weight kg/m: 3,440 ( 76 x 76 x 4mm )

### Door Corner Wedge

---



Weight kg/m: 1,450 ( 62 x 62 x 2,1mm )

### Frame Corner Wedge

---

## Garden Fence Accessories



Box Piece: 1 Adet

### 90x90 Bottom Connection Flange

---



Box Piece: 110 Adet

### Garden Fence Post Head

---

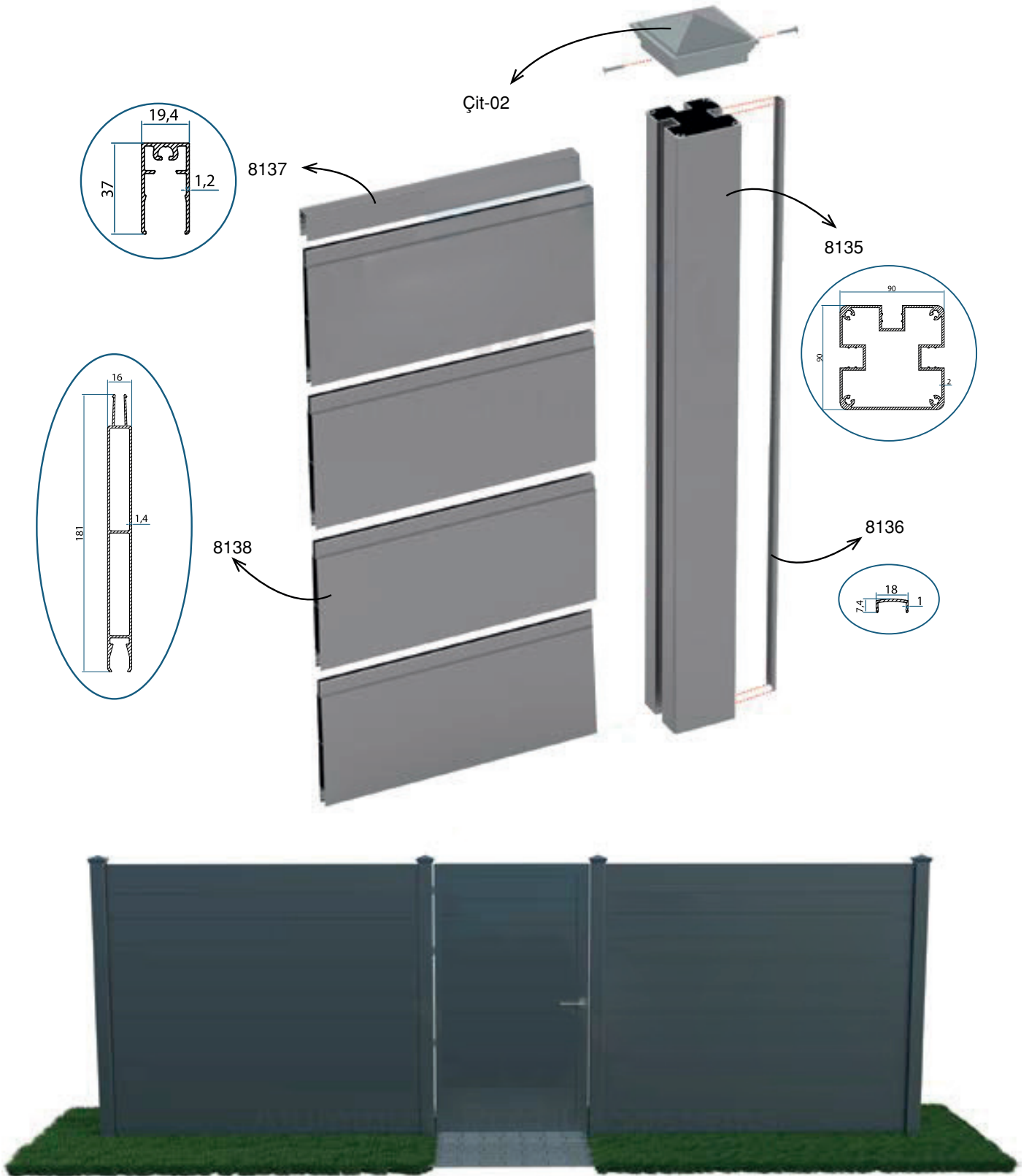


Box Piece: 141 mt

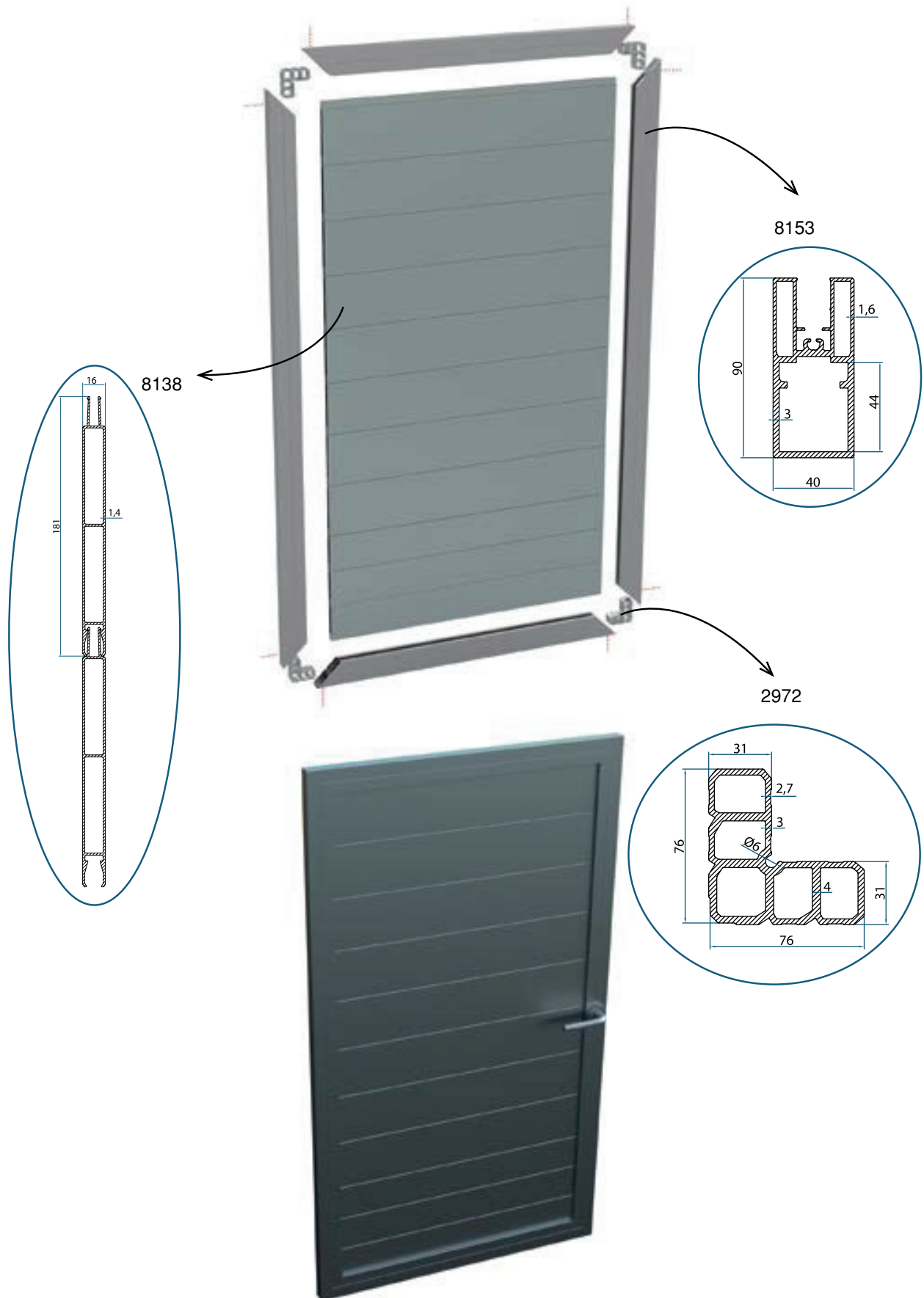
### Garden Fence Glazing Seal

---

# Garden Fence Montage

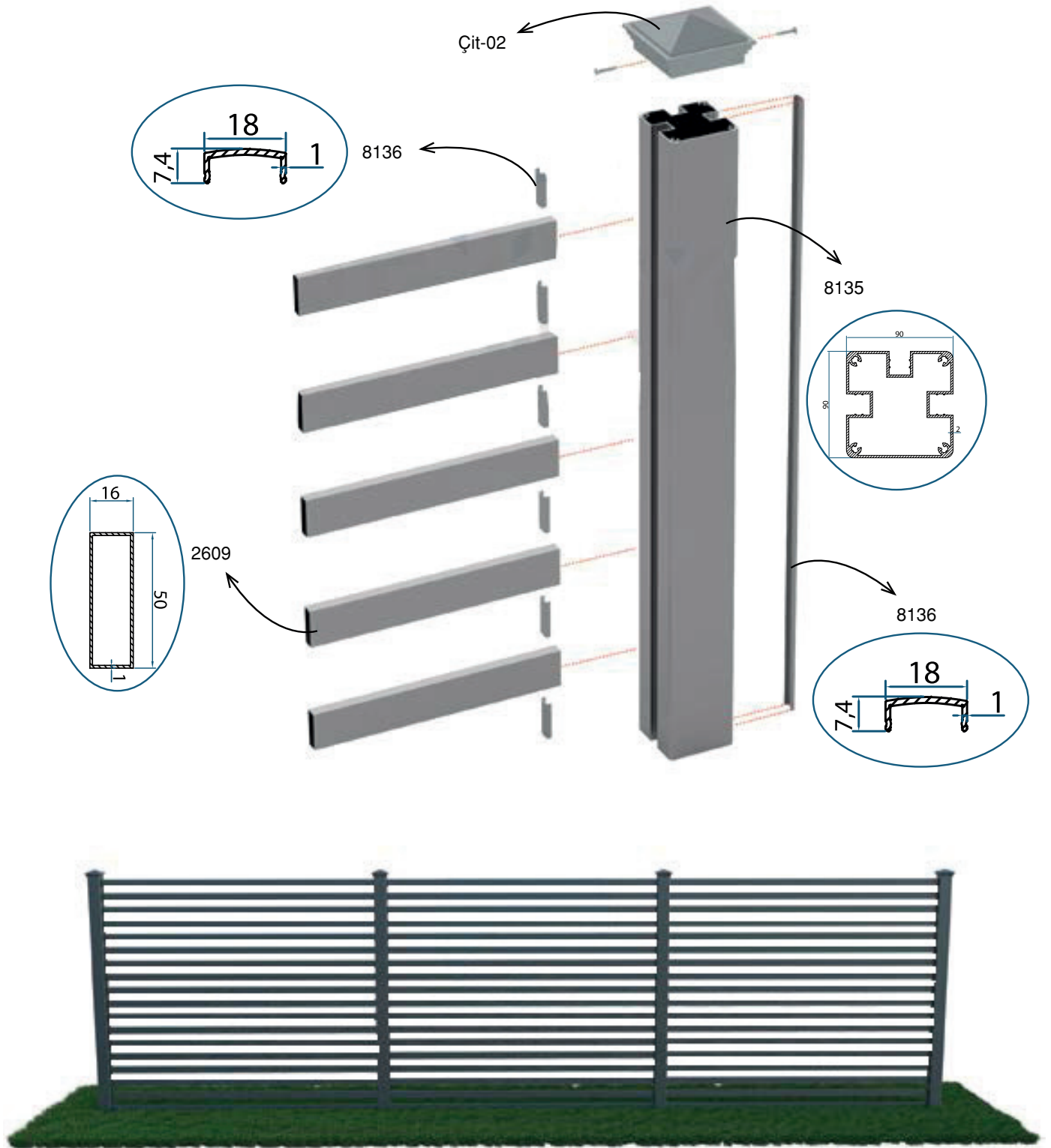


# Garden Fence Montage

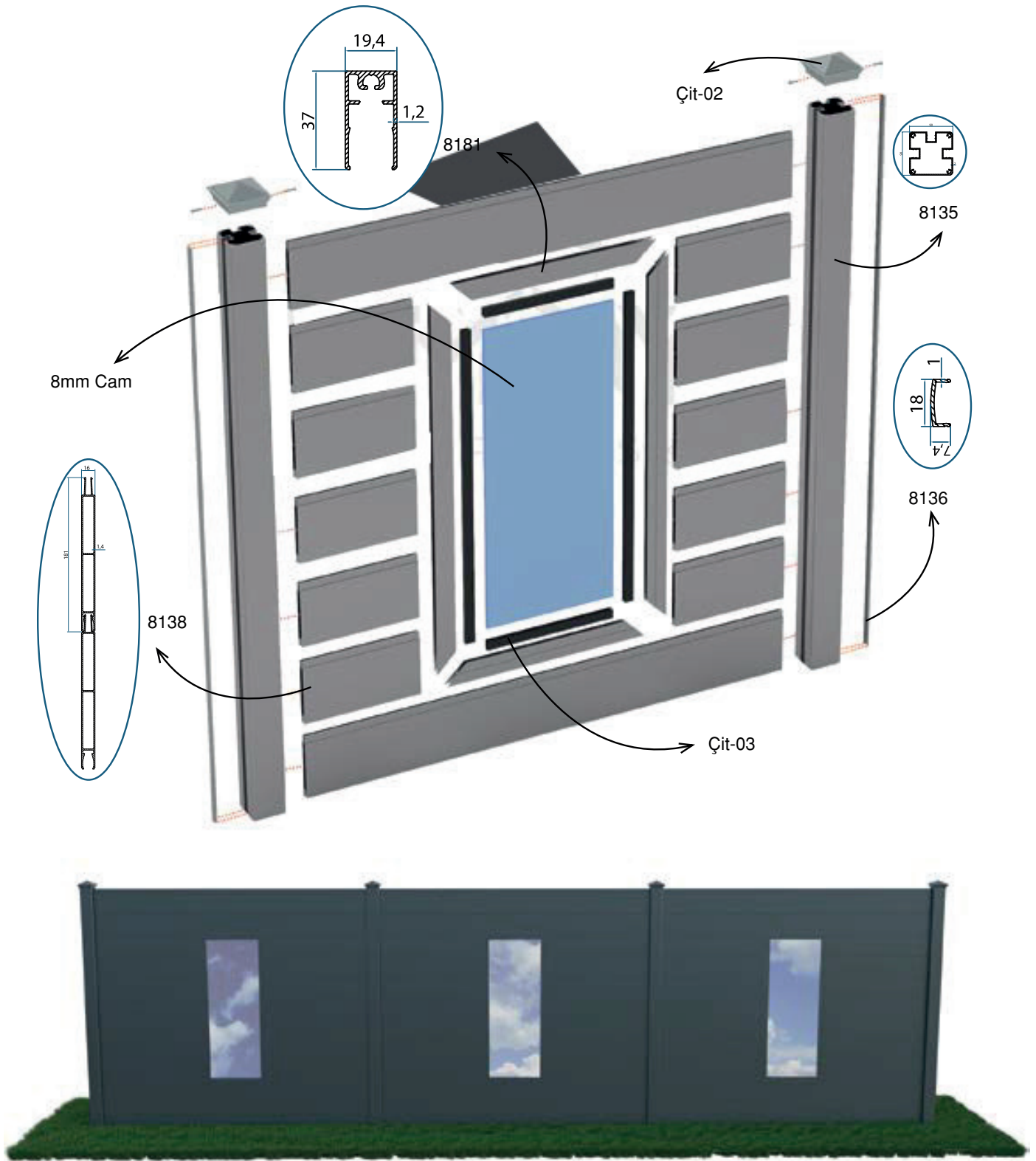




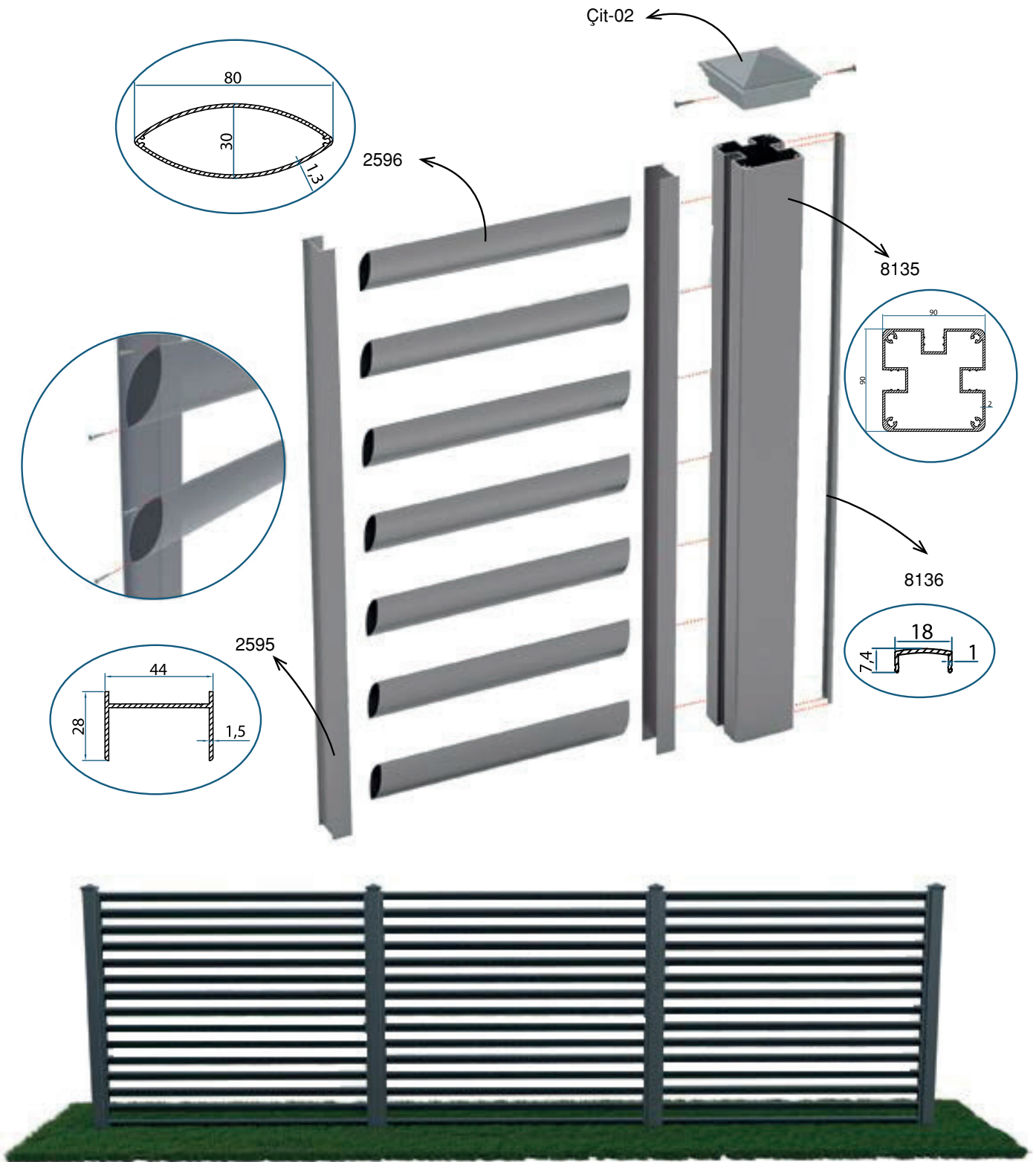
# Garden Fence Montage



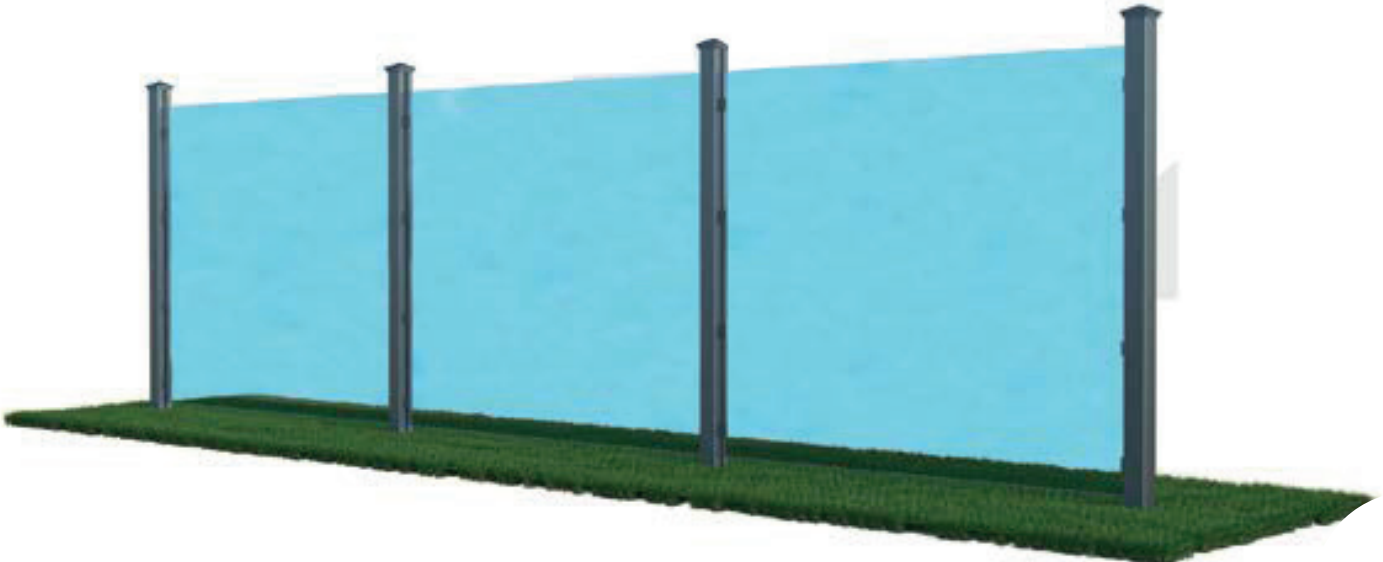
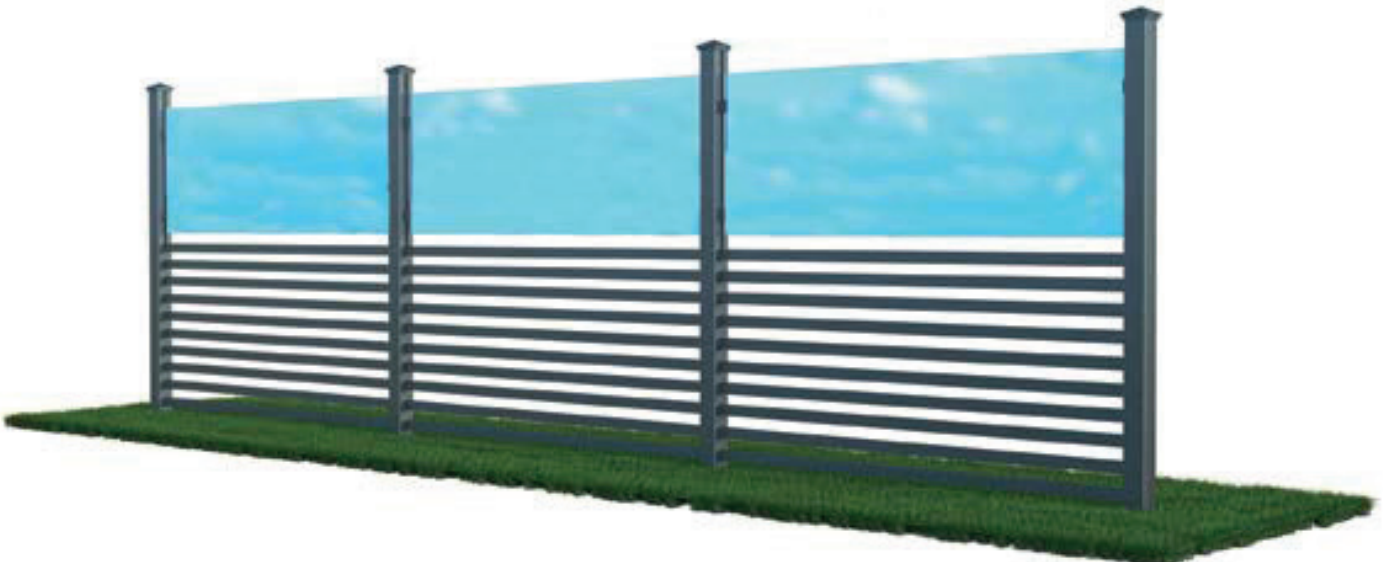
# Garden Fence Montage



# Garden Fence Montage



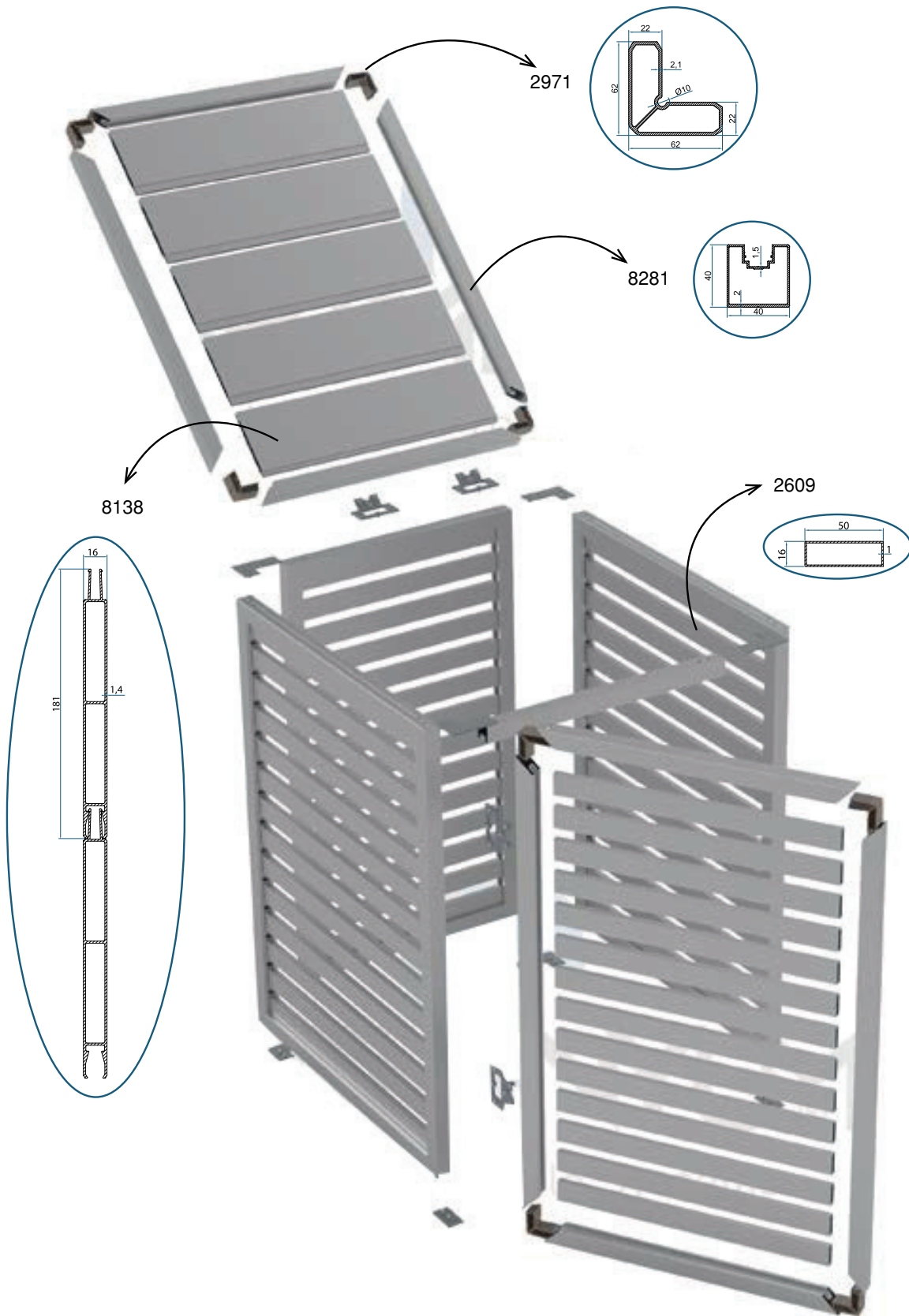
Garden Fence Montage



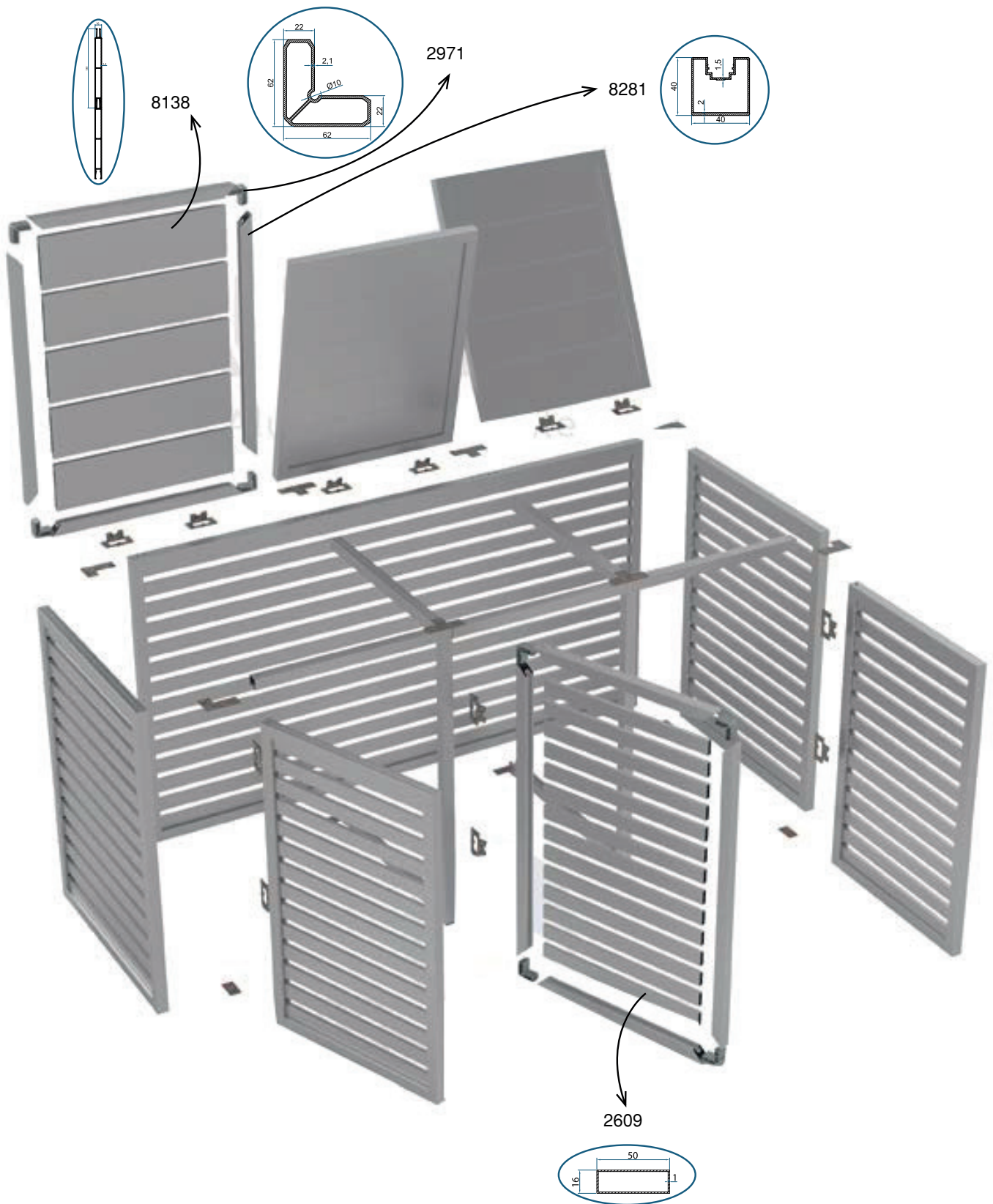
[Garden Fence Montage](#)

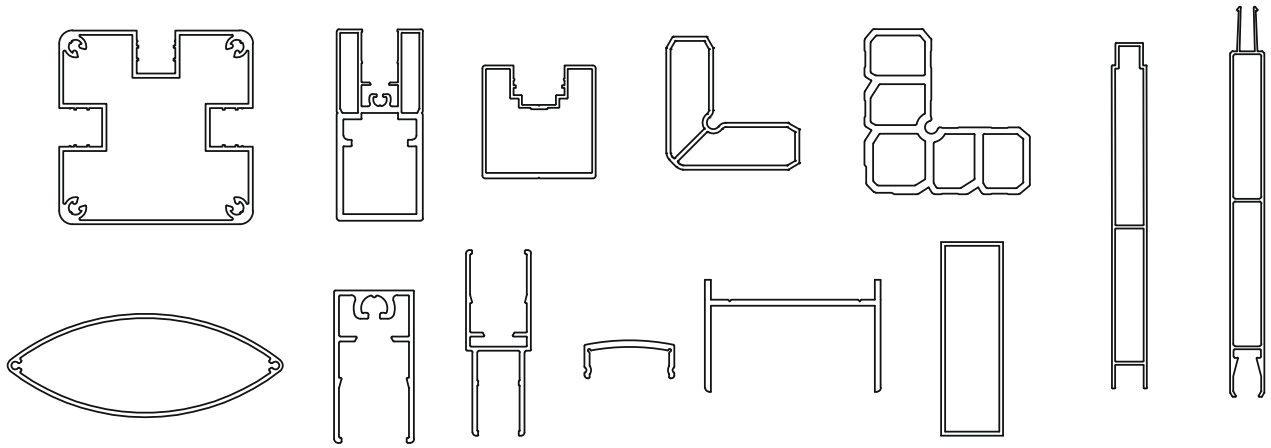


# Garden Fence Montage



## Garden Fence Montage







TELEFON / PHONE

0212 501 80 89  
0212 886 27 0 8

FA X / FA X

0212 886 27 0 9

ADRES / ADDRESS

Ak aburgaz Mh Ak aburgaz C d. 3044. Sk.  
No:1 34522 akmaklı Esenyurt – İstanbul

info@artent. com.tr

AR TENT .COM.TR

